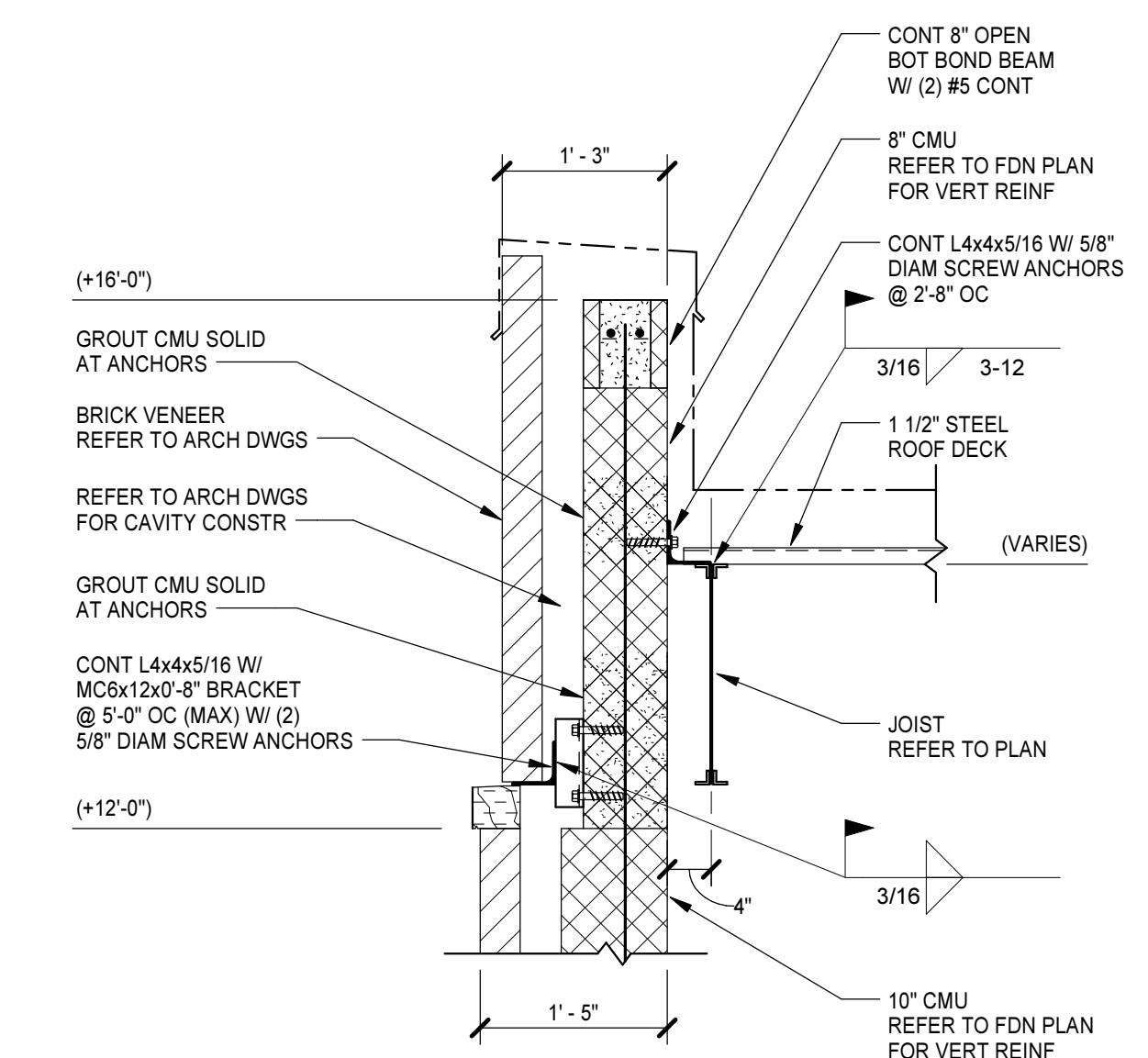
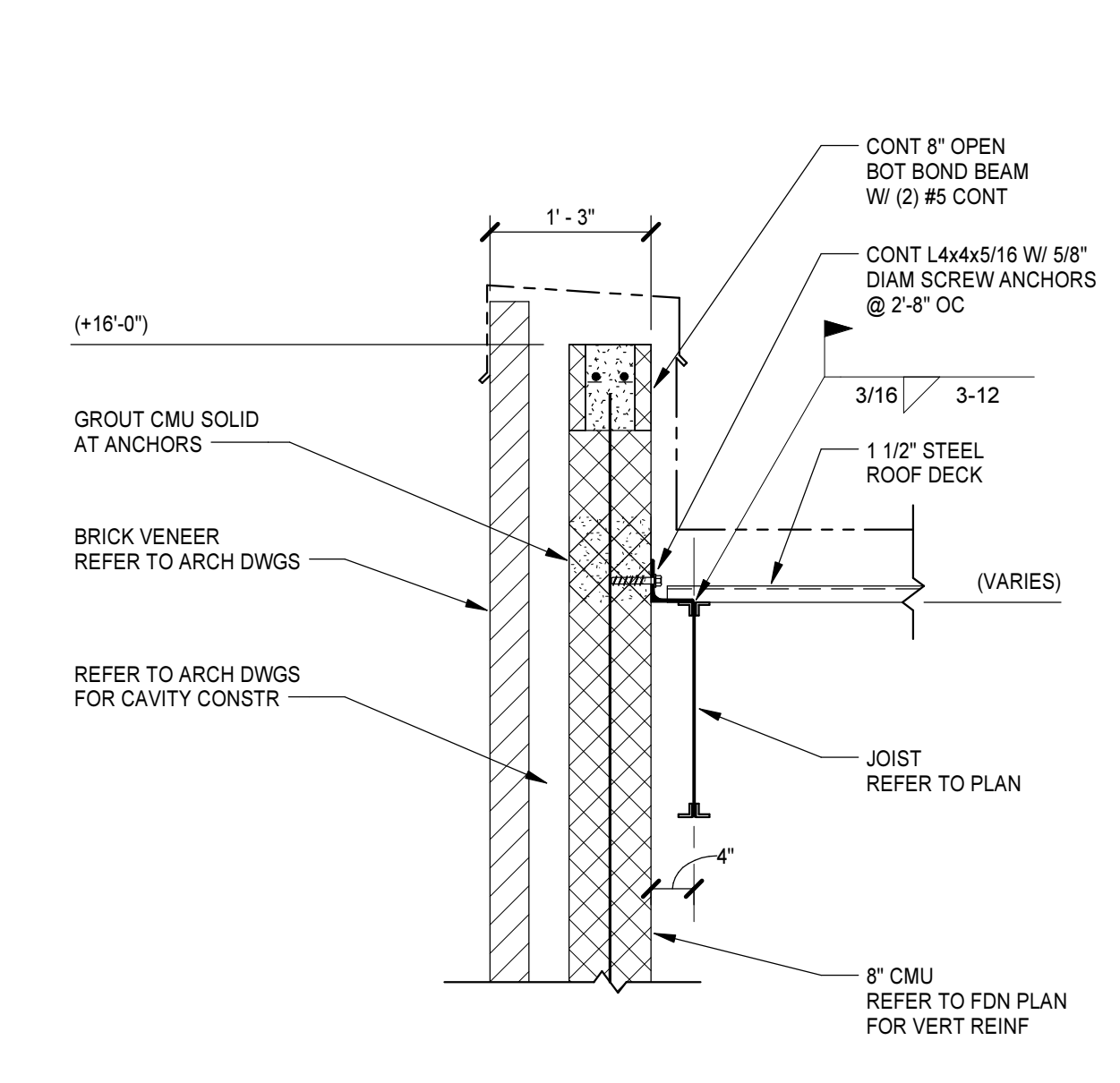


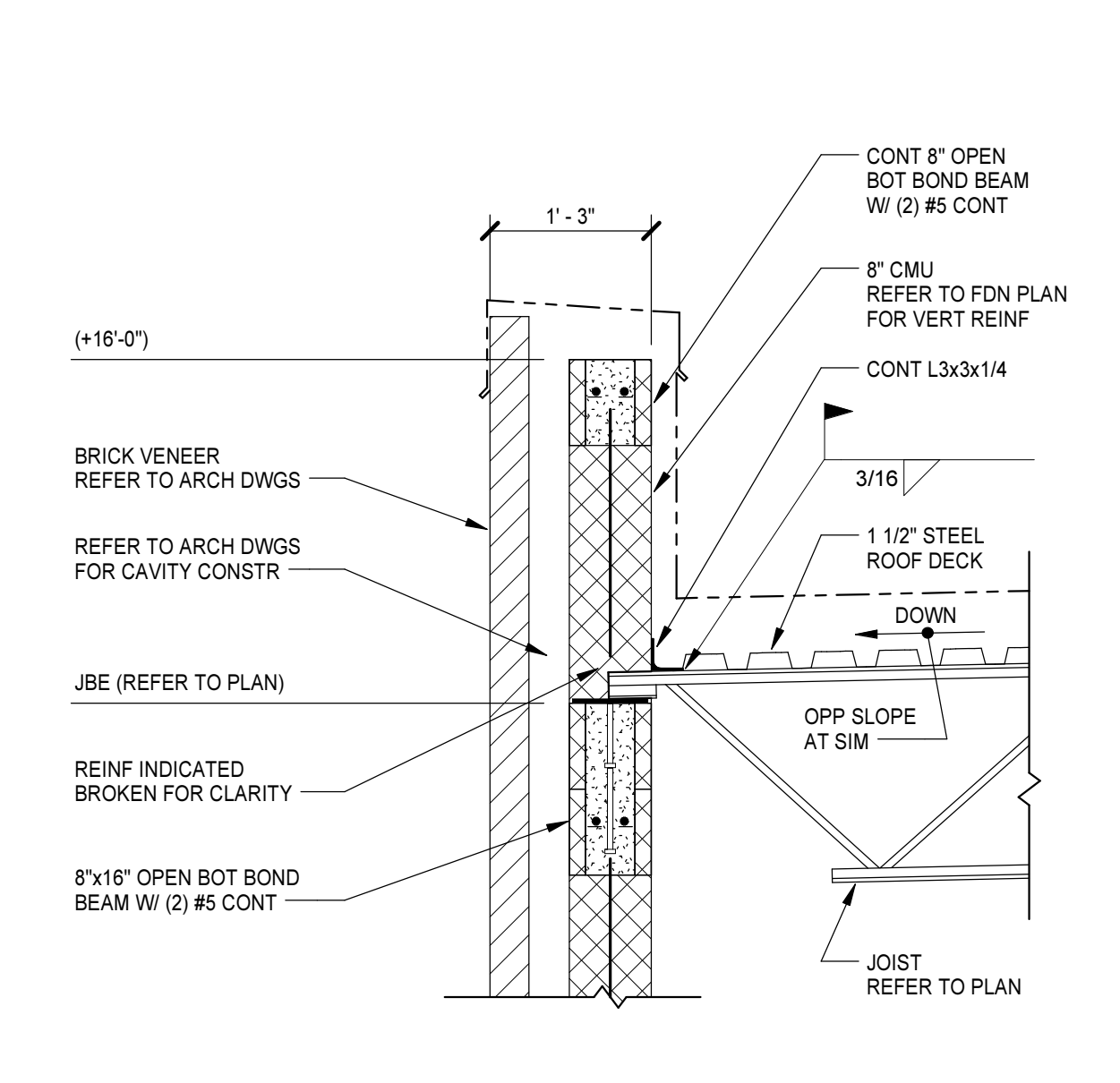
PROJECT NO:	DATE:
481000	JULY 15, 2020
REVISIONS	
DATE	DESCRIPTION
12/11/20	ADDENDUM 7



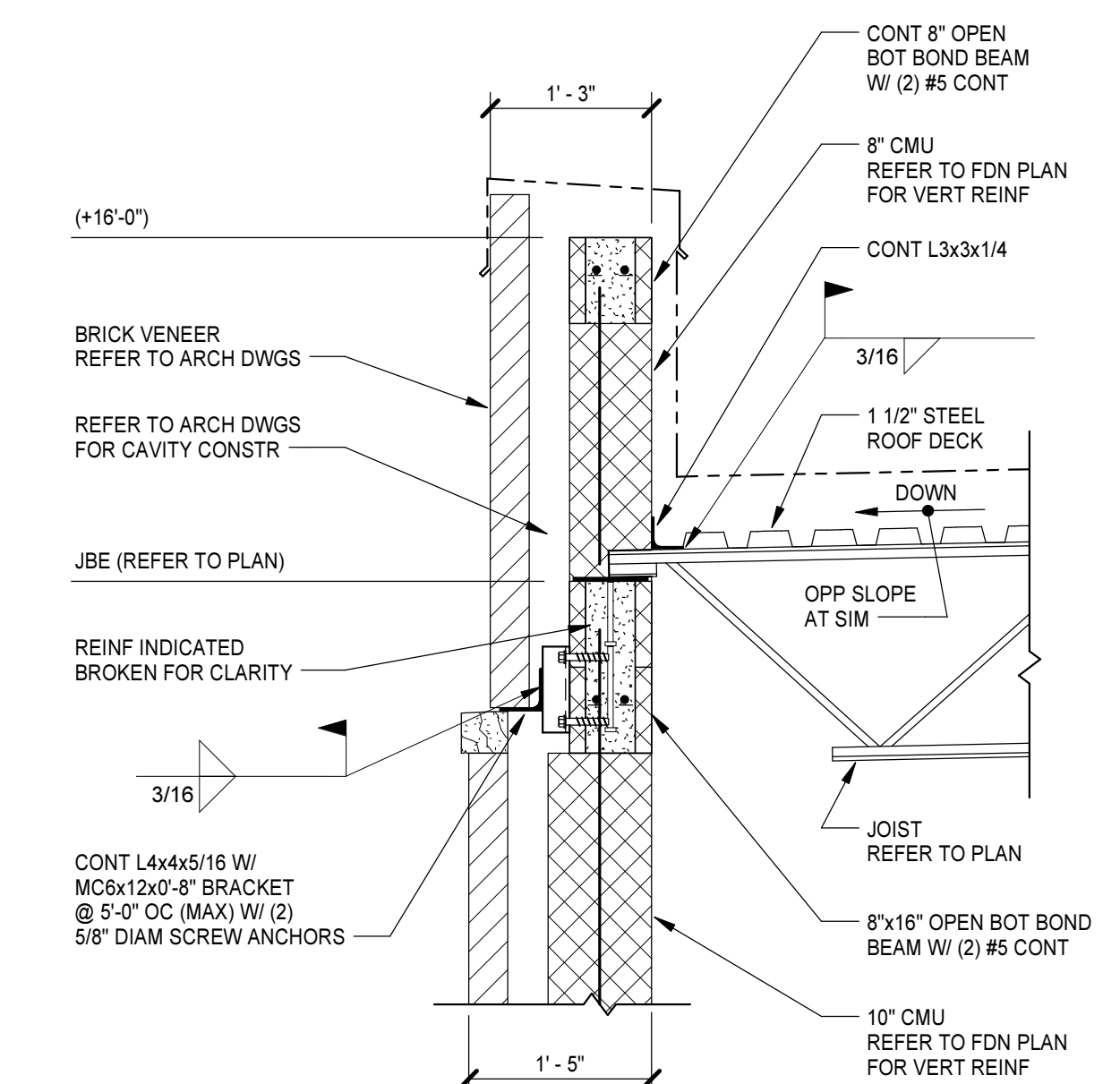
4 SECTION
 S2.1 | S4.1 | 3/4" = 1'-0"



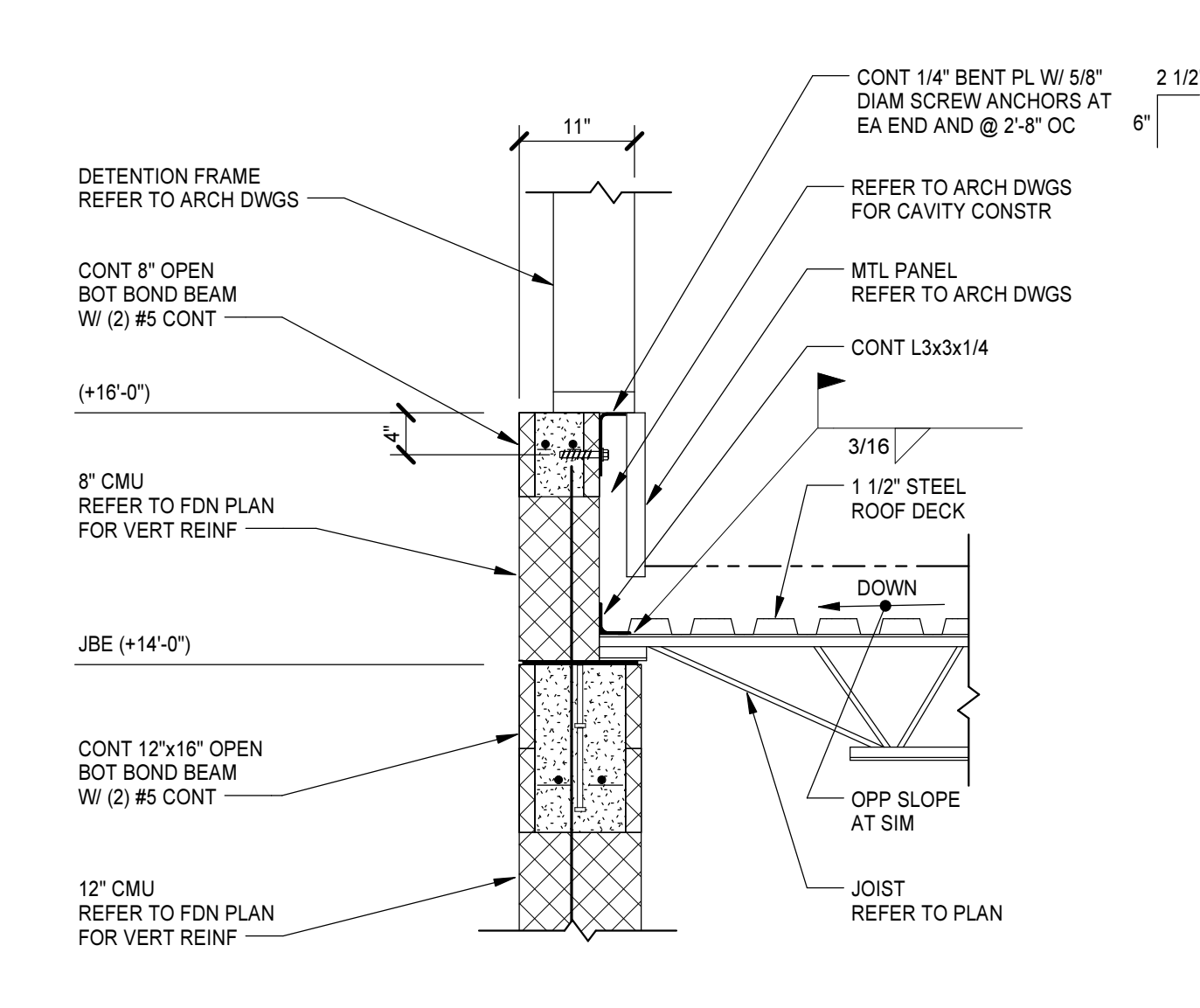
3 SECTION
 S2.1 | S4.1 | 3/4" = 1'-0"



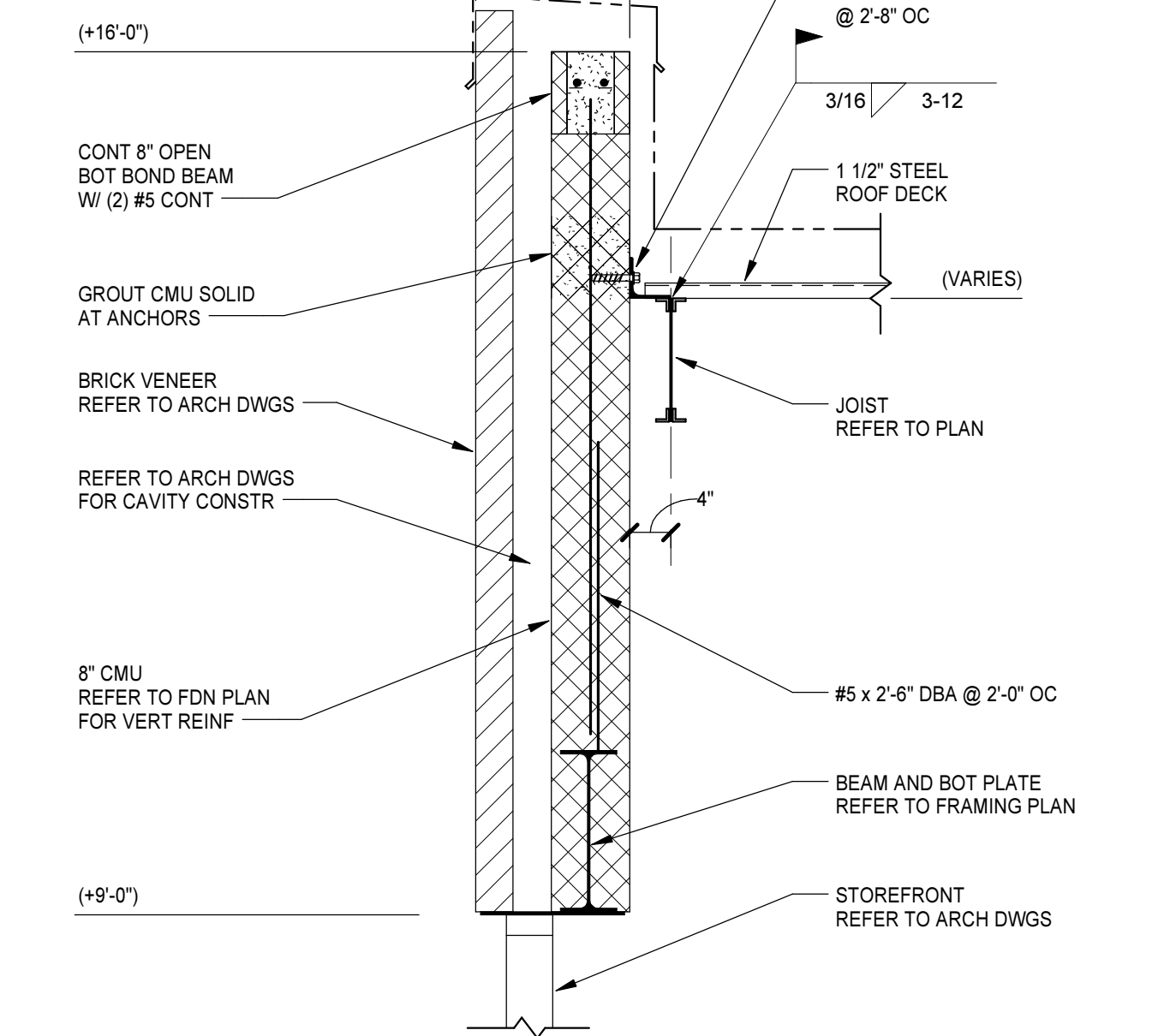
2 SECTION
 S2.1 | S4.1 | 3/4" = 1'-0"



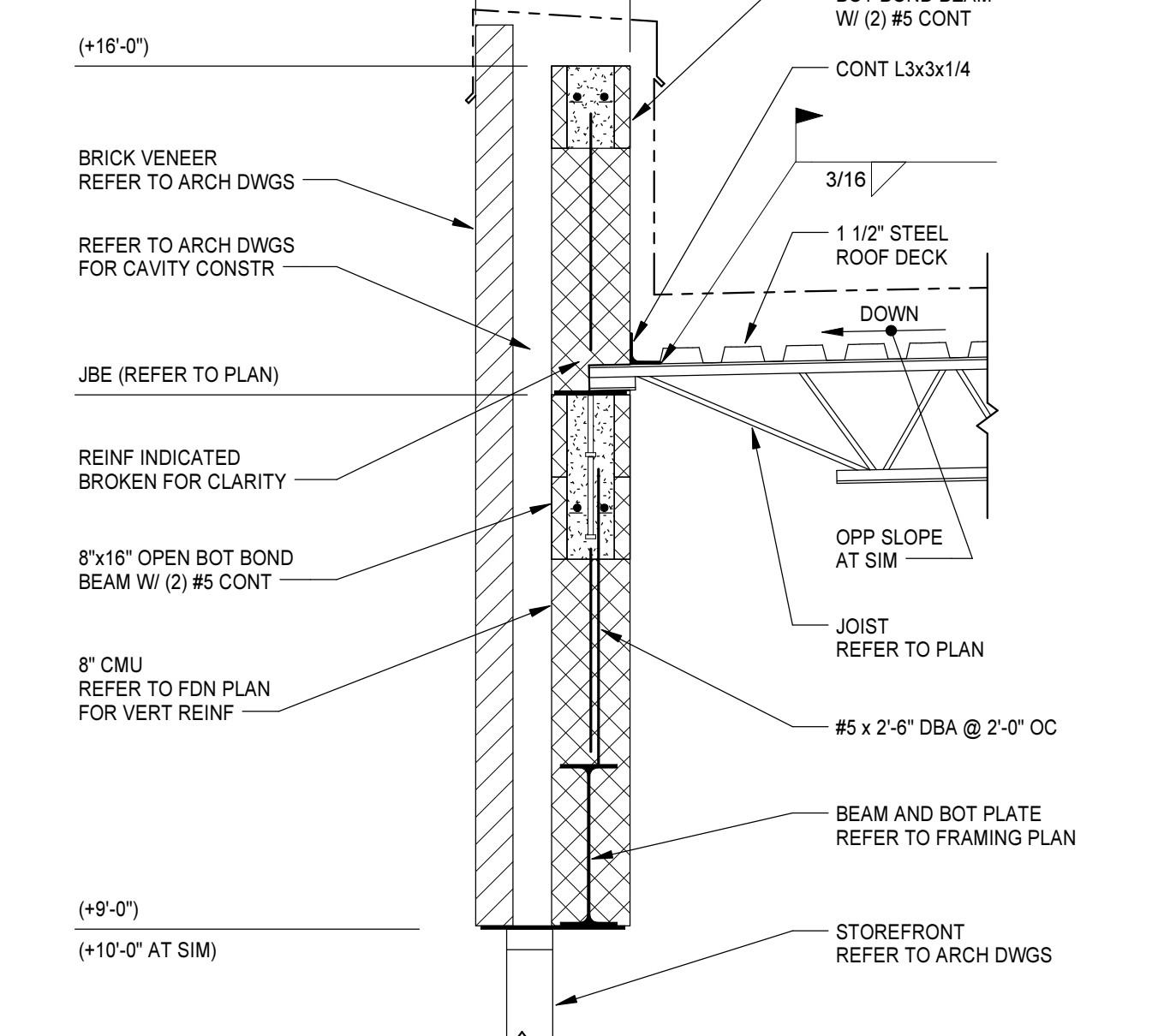
1 SECTION
 S2.1 | S4.1 | 3/4" = 1'-0"



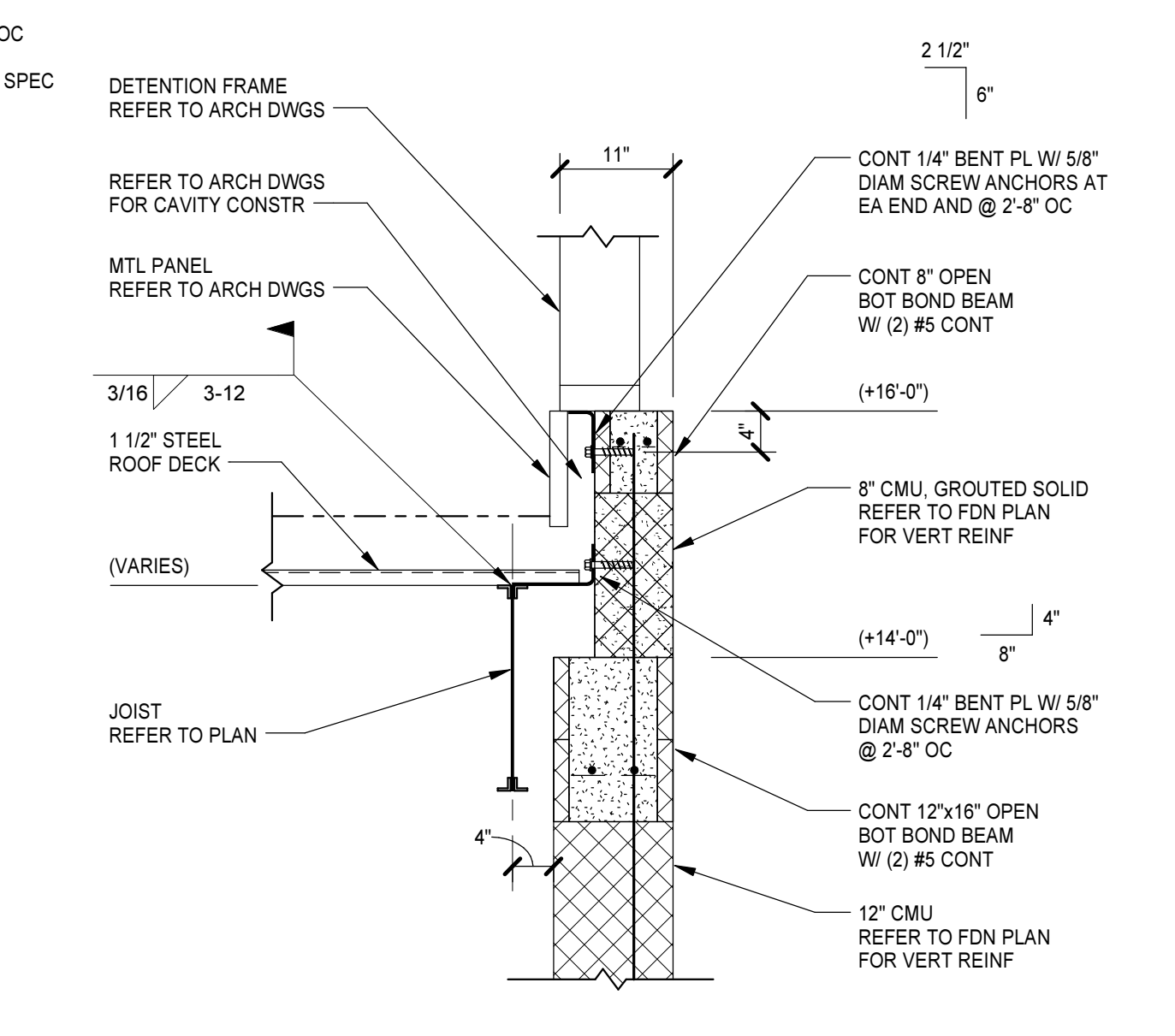
8 SECTION
 S2.1 | S4.1 | 3/4" = 1'-0"



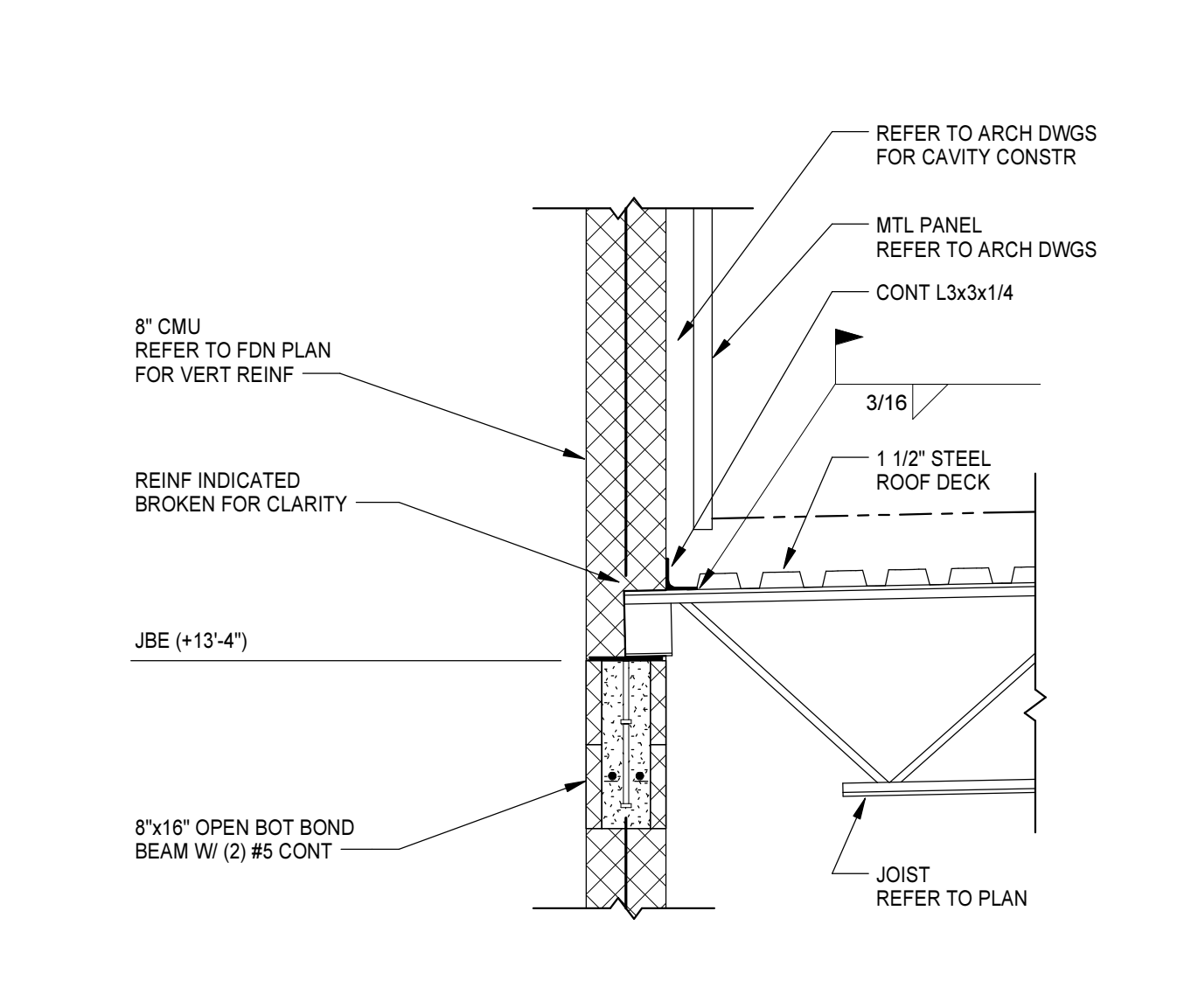
7 SECTION
 S2.1 | S4.1 | 3/4" = 1'-0"



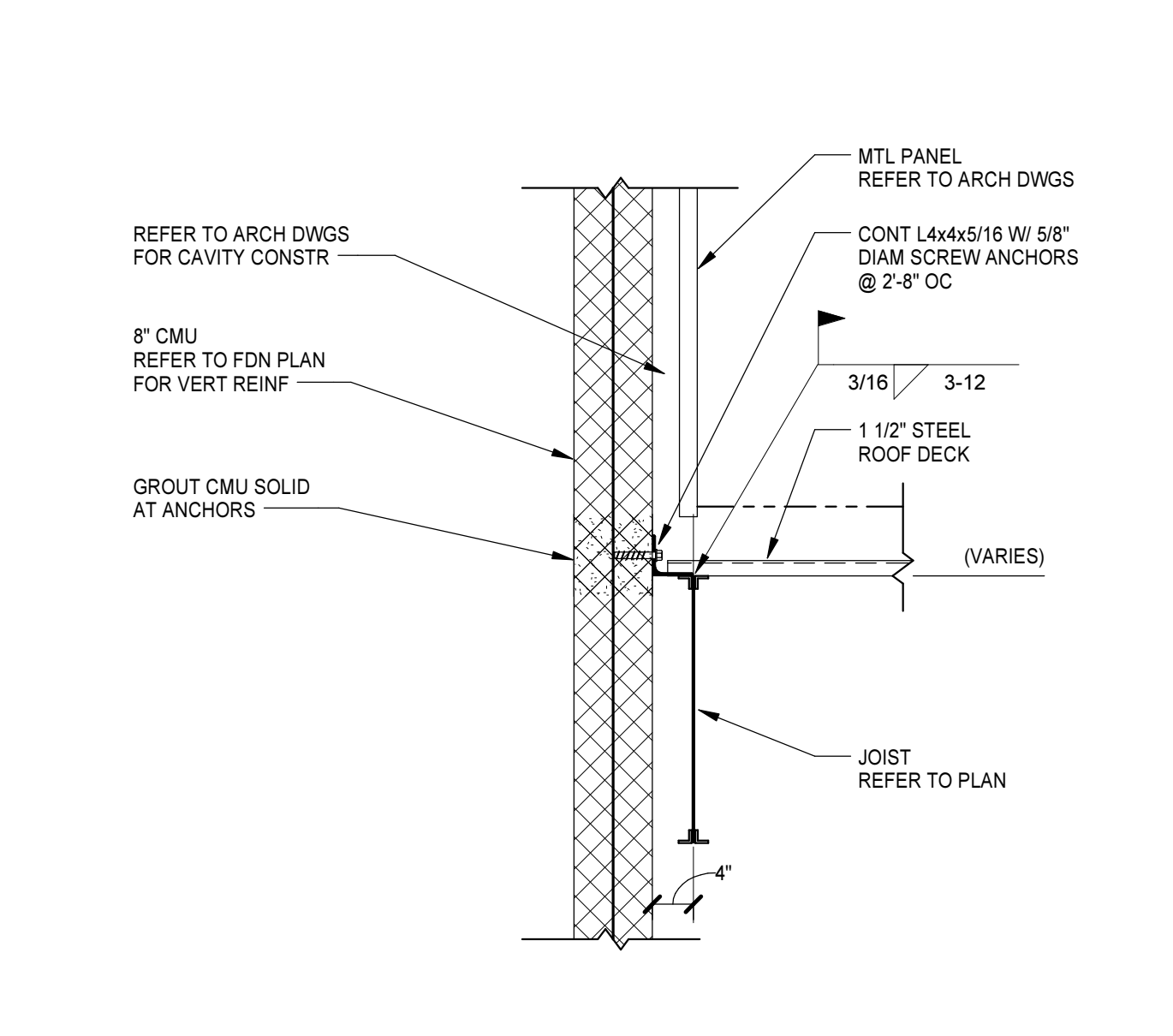
6 SECTION
 S2.1 | S4.1 | 3/4" = 1'-0"



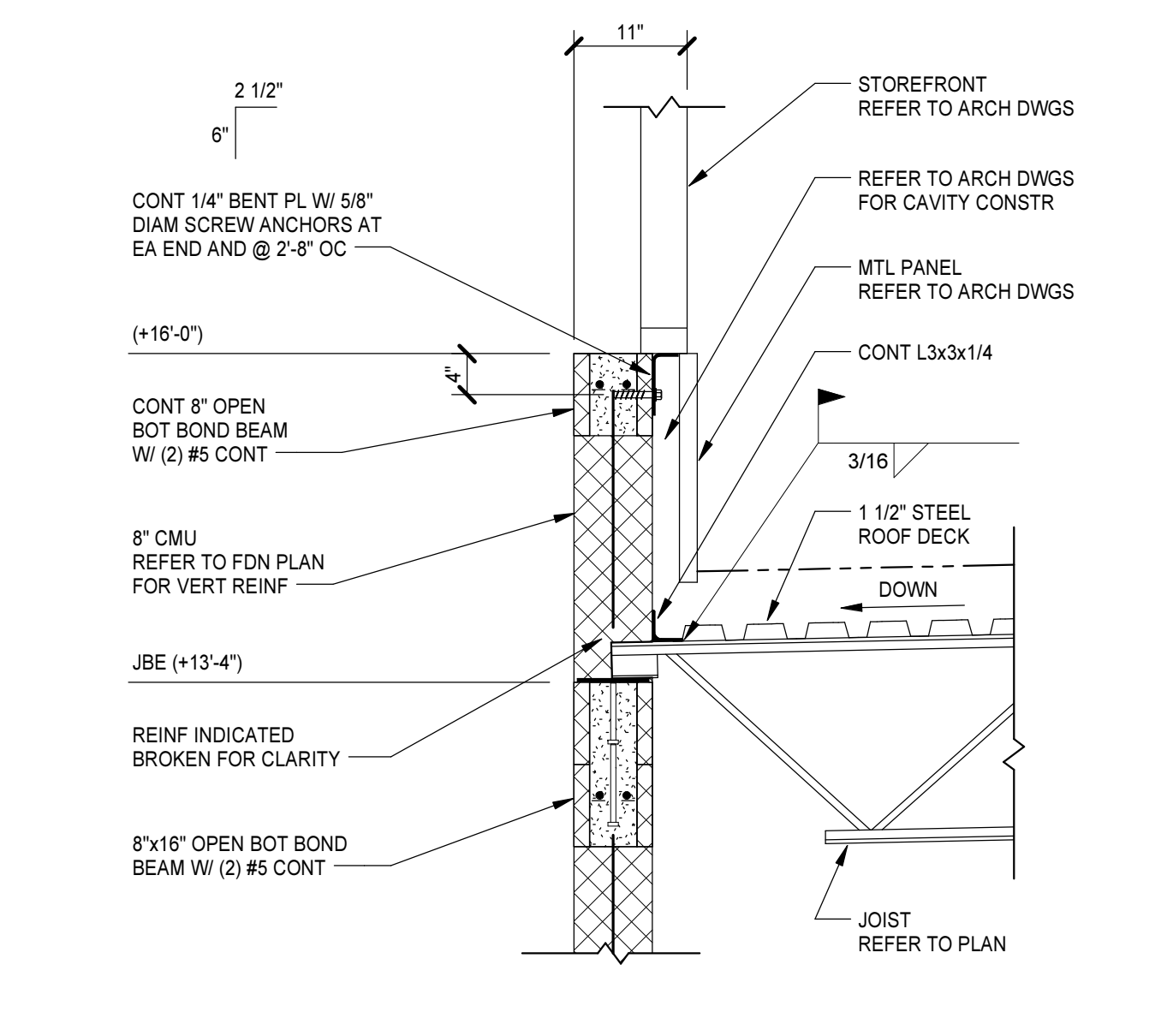
5 SECTION
 S2.1 | S4.1 | 3/4" = 1'-0"



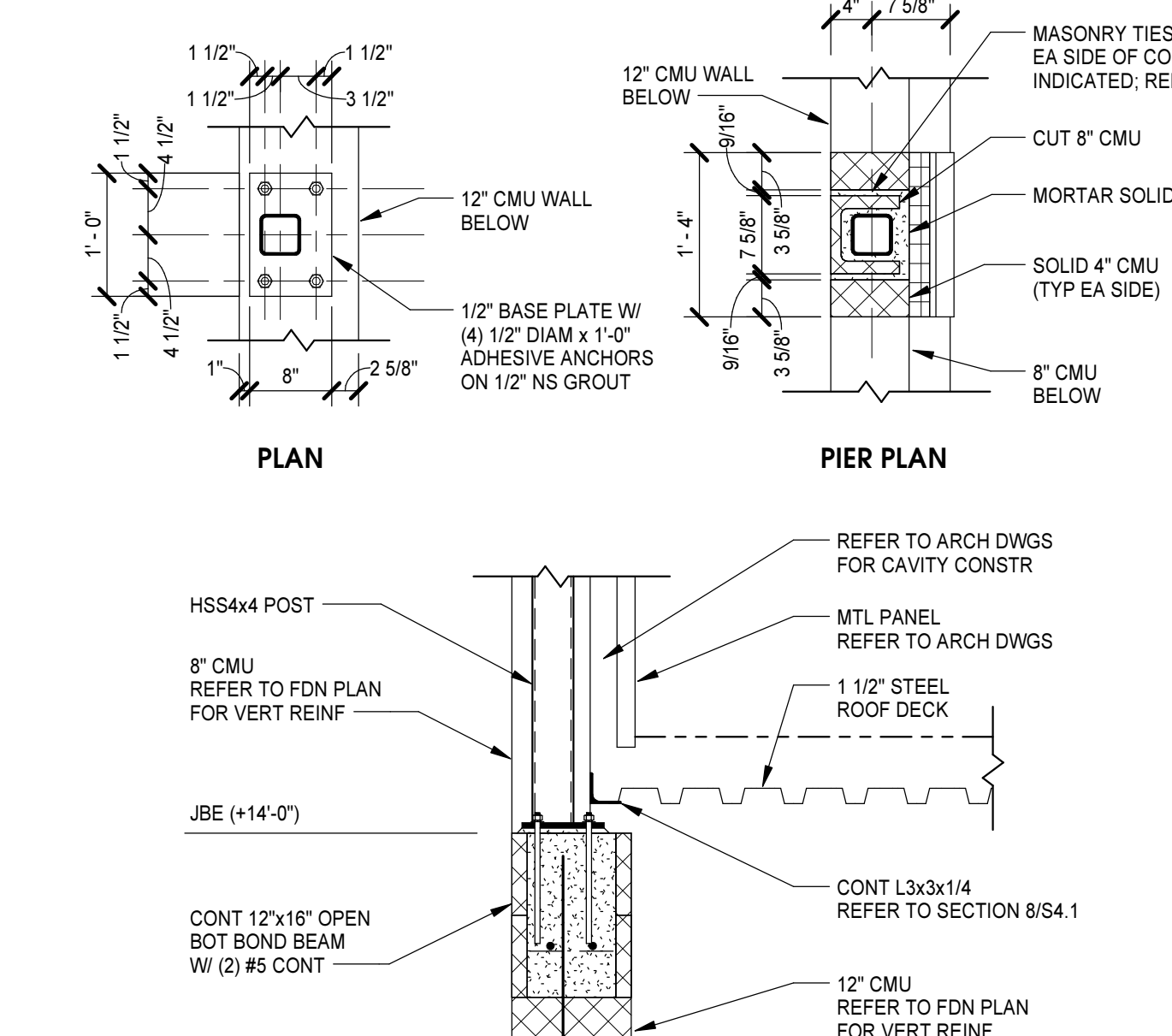
12 SECTION
 S2.1 | S4.1 | 3/4" = 1'-0"



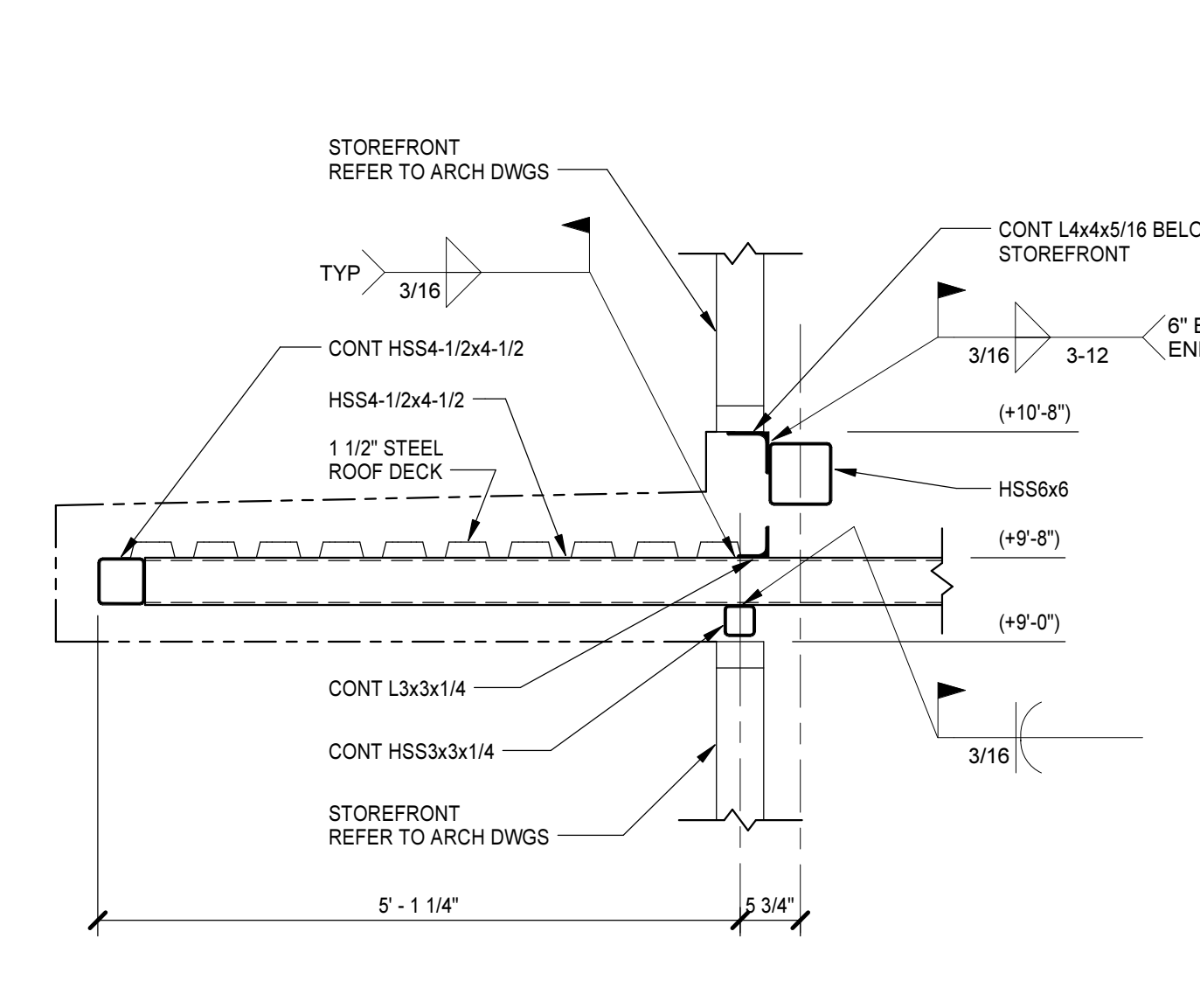
11 SECTION
 S2.1 | S4.1 | 3/4" = 1'-0"



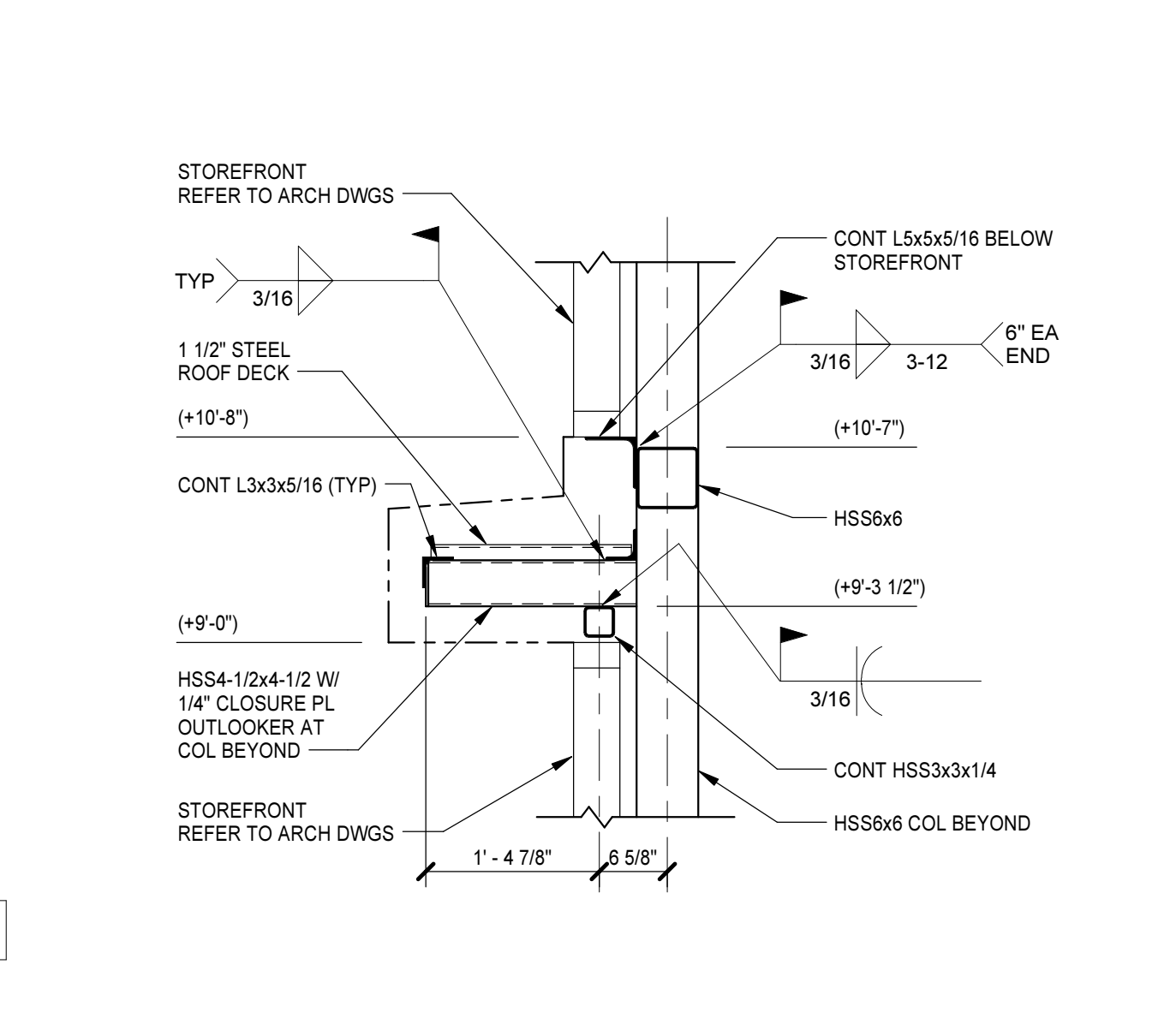
10 SECTION
 S2.1 | S4.1 | 3/4" = 1'-0"



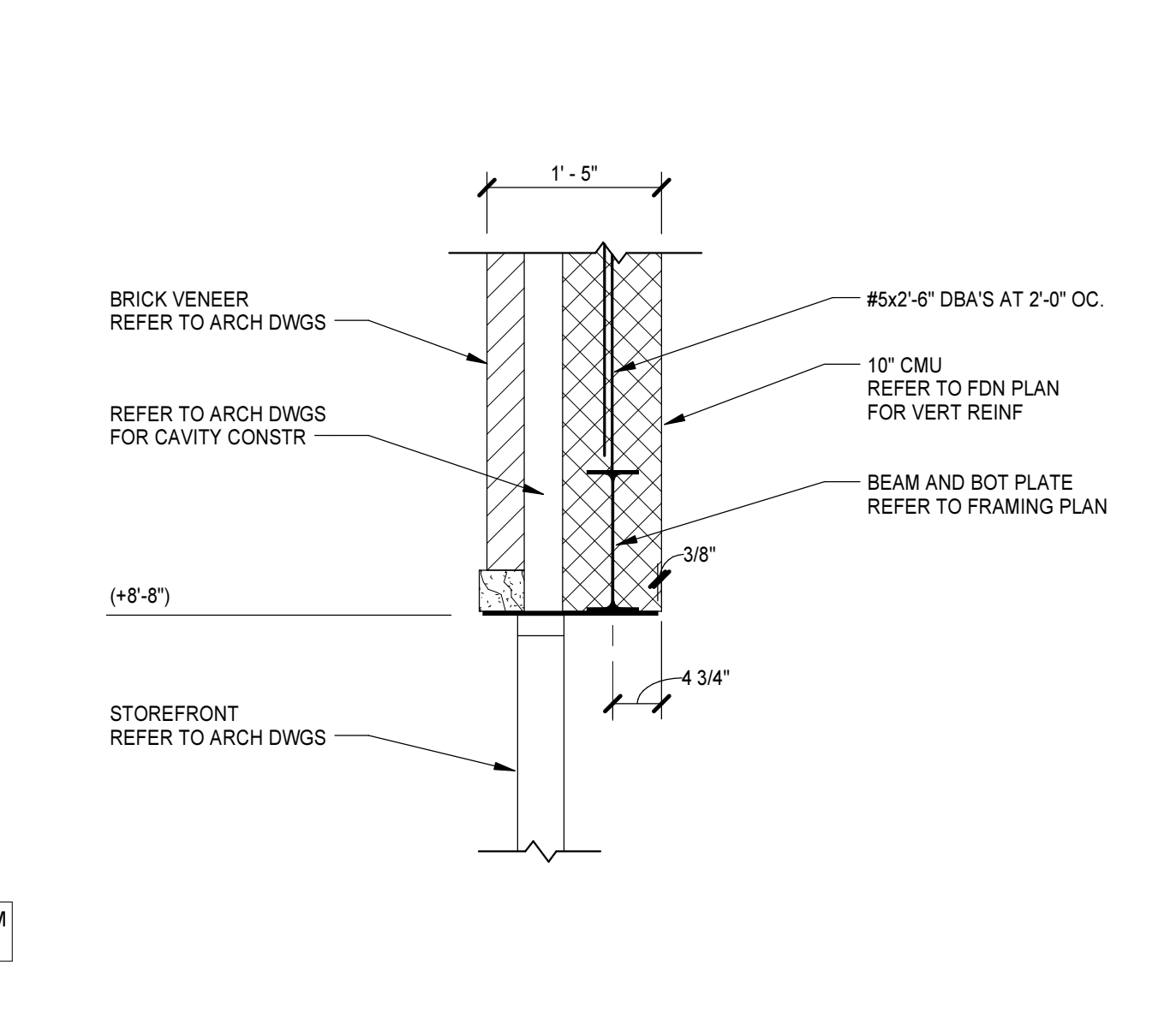
9 SECTION
 S2.1 | S4.1 | 3/4" = 1'-0"



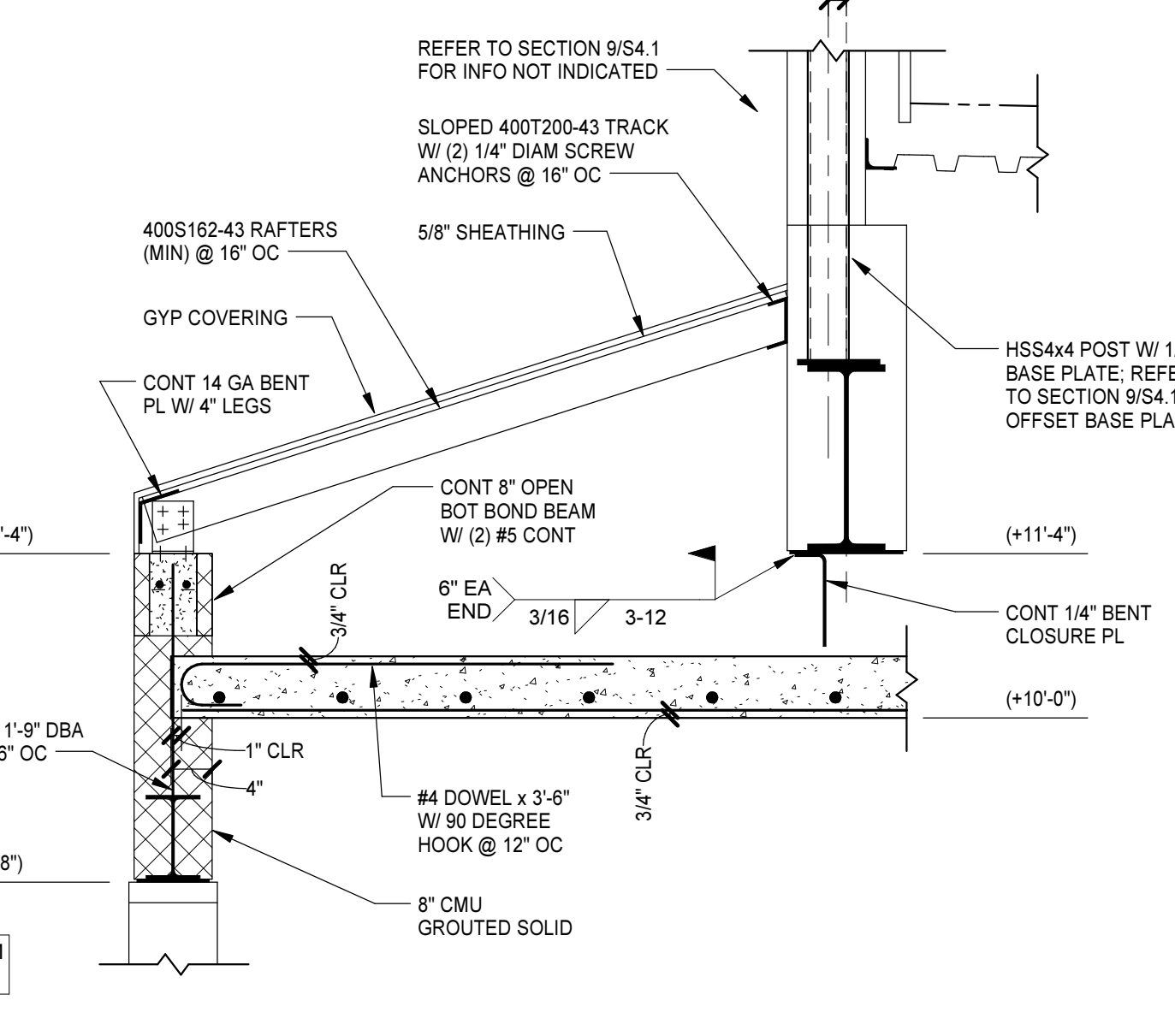
16 SECTION
 S2.1 | S4.1 | 3/4" = 1'-0"



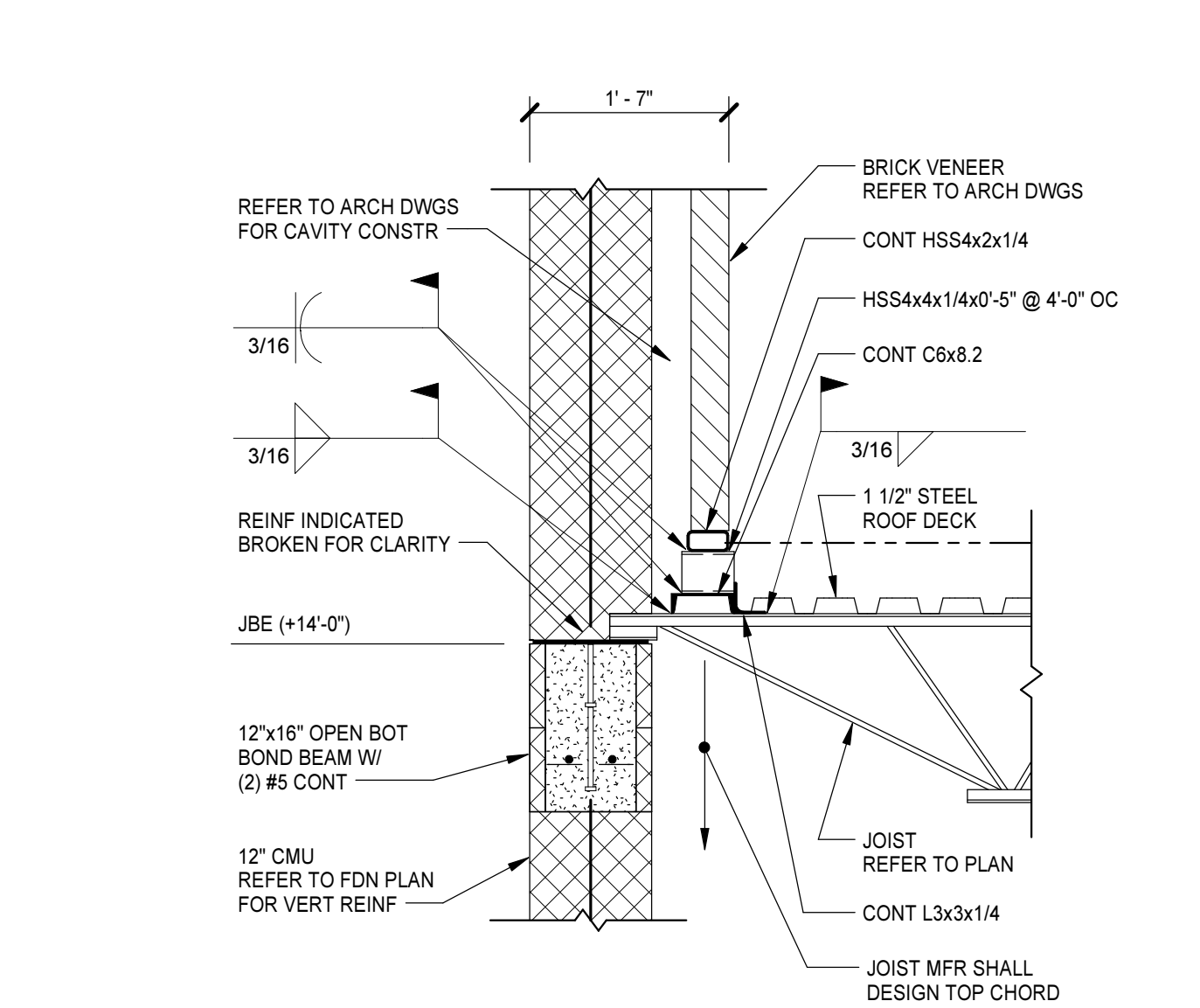
15 SECTION
 S2.1 | S4.1 | 3/4" = 1'-0"



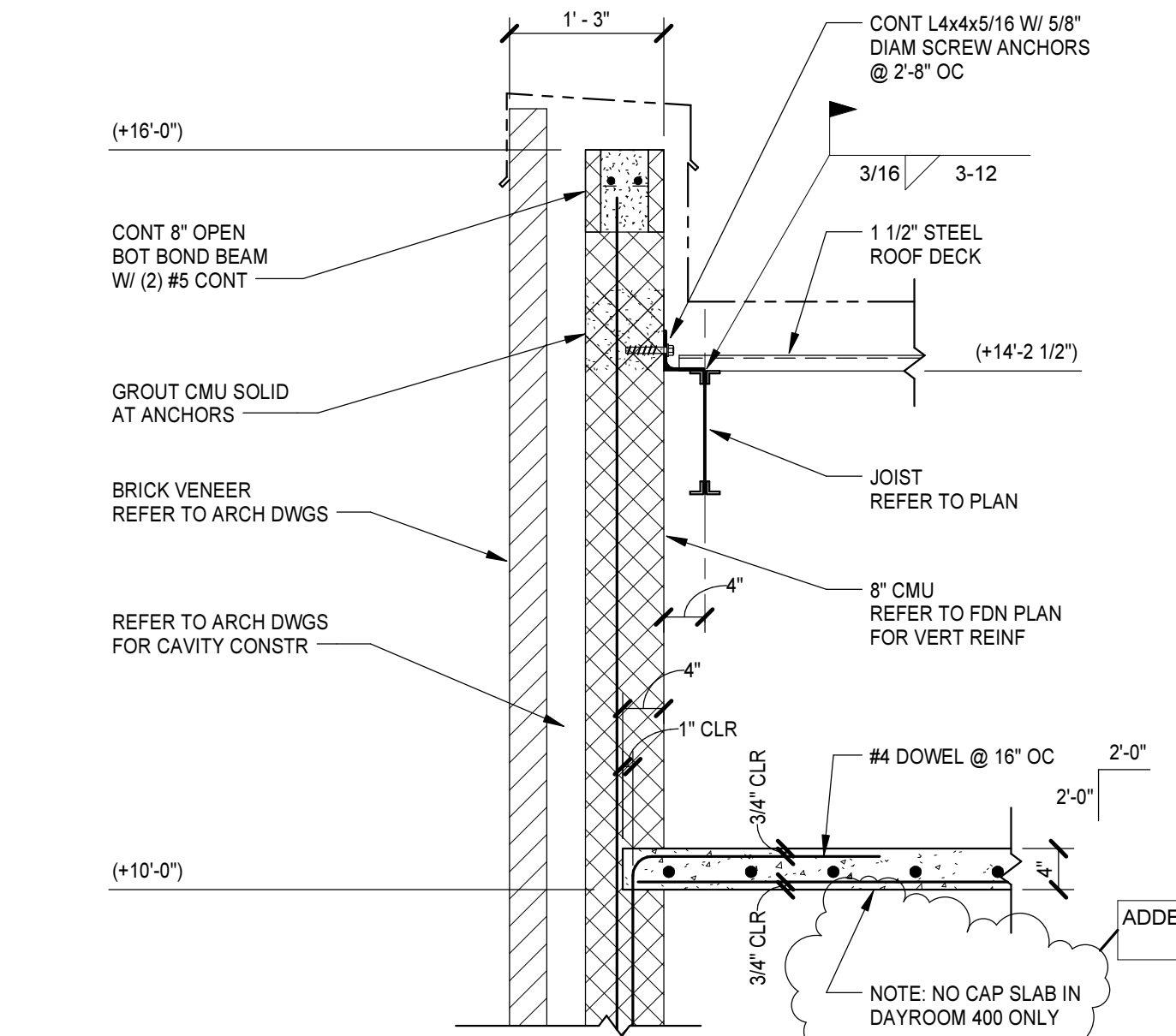
14 SECTION
 S2.1 | S4.1 | 3/4" = 1'-0"



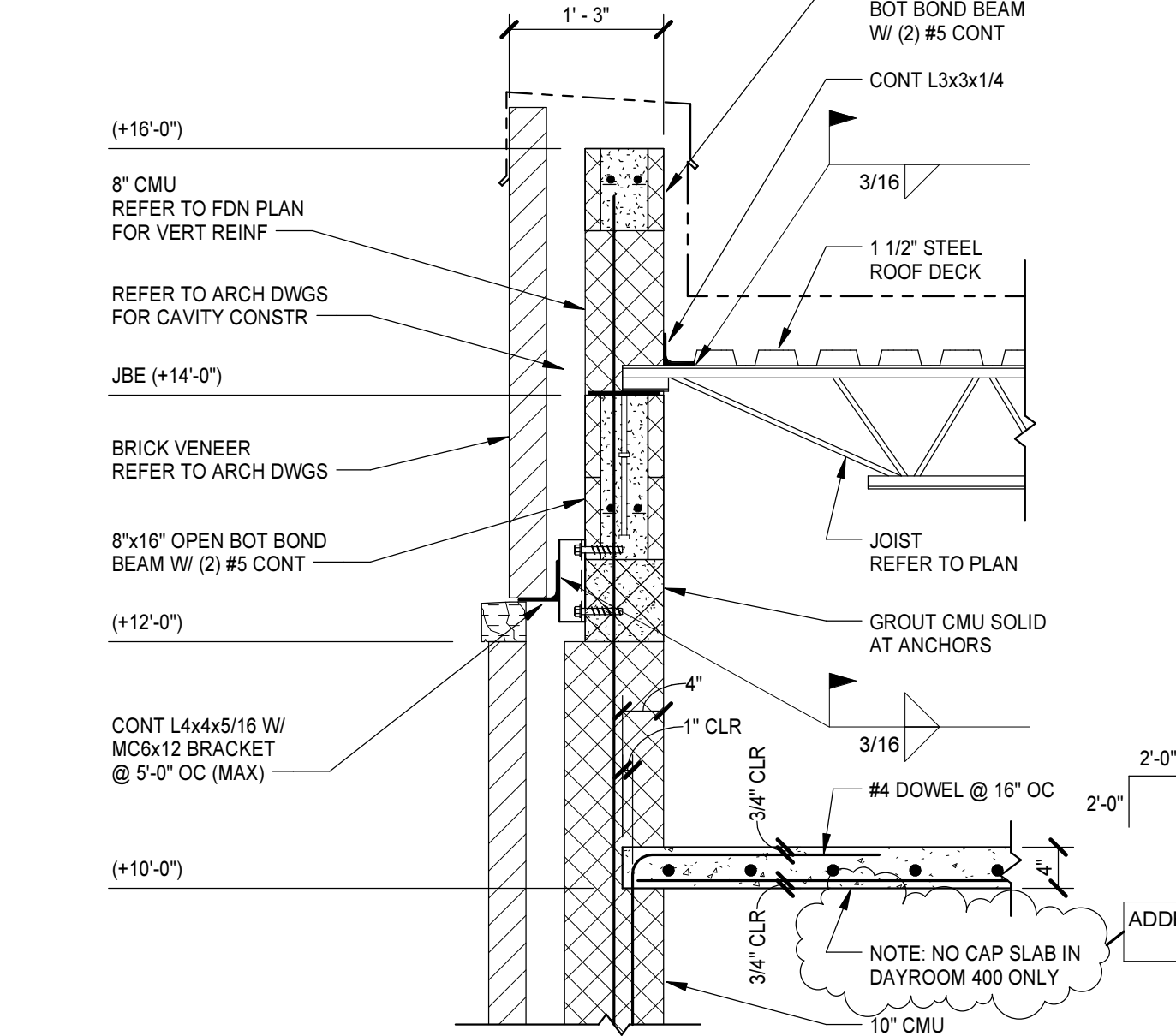
13 SECTION
 S2.1 | S4.1 | 3/4" = 1'-0"



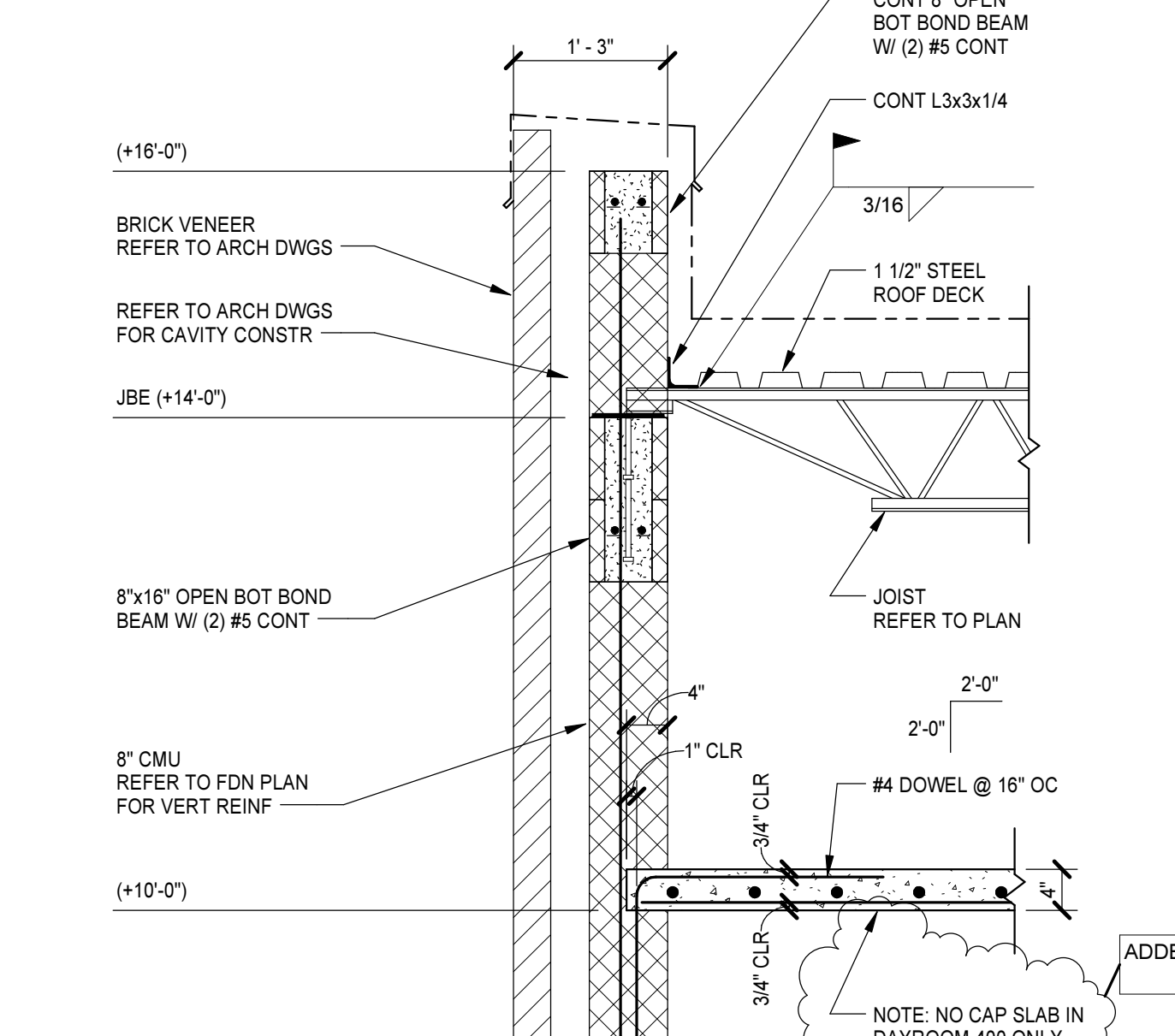
20 SECTION
 S2.1 | S4.1 | 3/4" = 1'-0"



19 SECTION
 S2.2 | S4.1 | 3/4" = 1'-0"



18 SECTION
 S2.2 | S4.1 | 3/4" = 1'-0"



17 SECTION
 S2.2 | S4.1 | 3/4" = 1'-0"