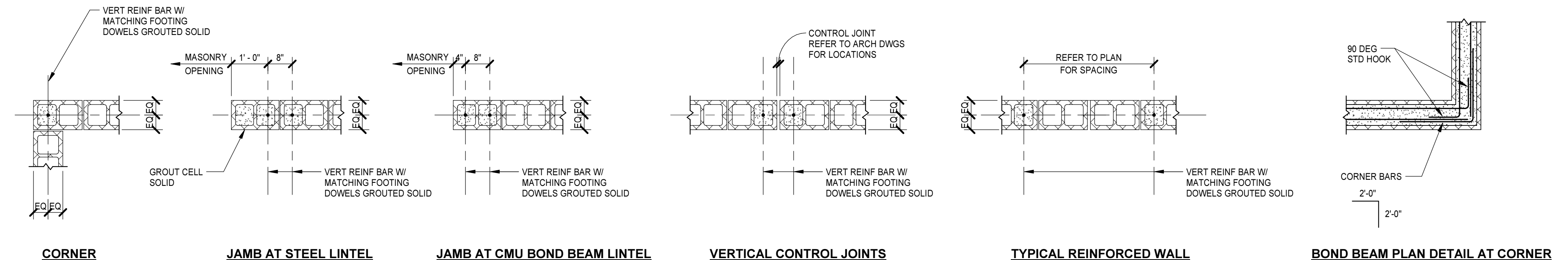


CONTINUOUS BOND BEAM AT NARROW JAMB

NO SCALE



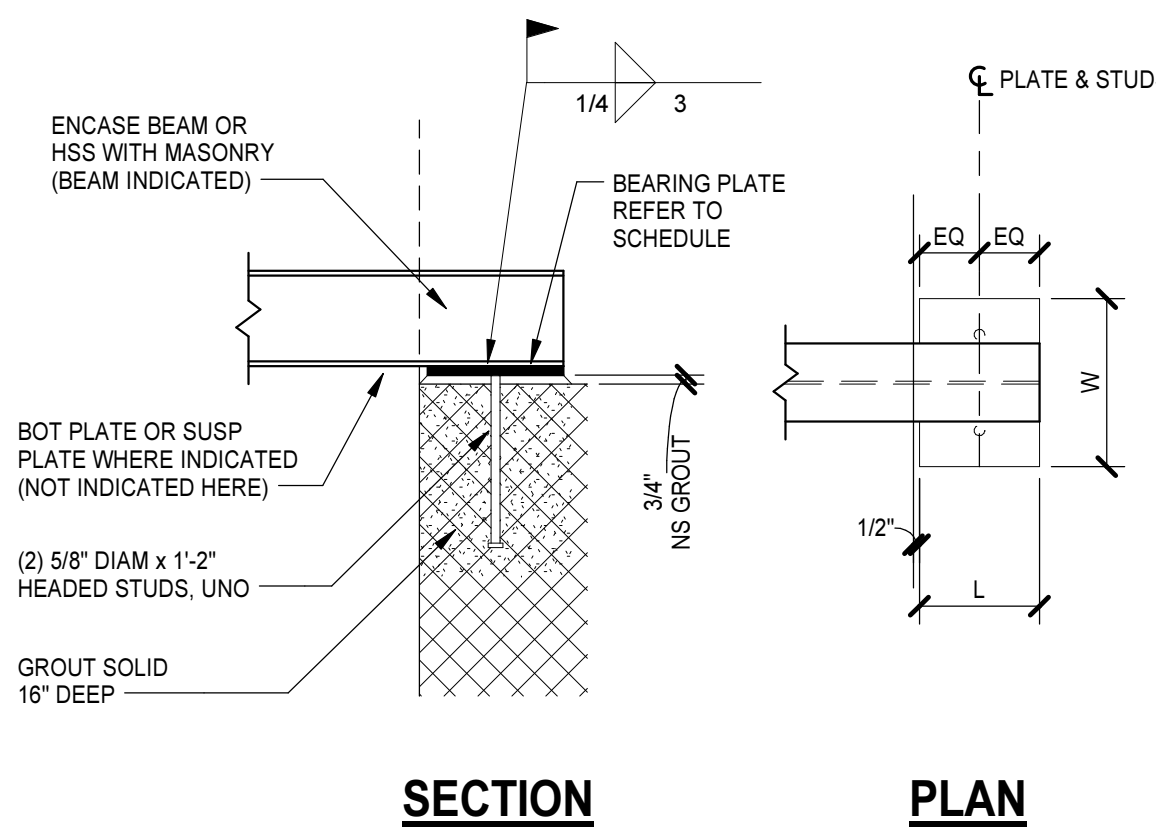
CMU WALL REINFORCING DETAILS

NO SCALE

- NOTES:
1. REINFORCING BAR SIZE INDICATED ON FOUNDATION PLAN.
 2. DETAILS ARE PROVIDED FOR VERTICAL REINFORCING STEEL PLACEMENT ONLY. REFER TO ARCHITECTS DRAWINGS FOR SPECIFIC MASONRY DETAILS.

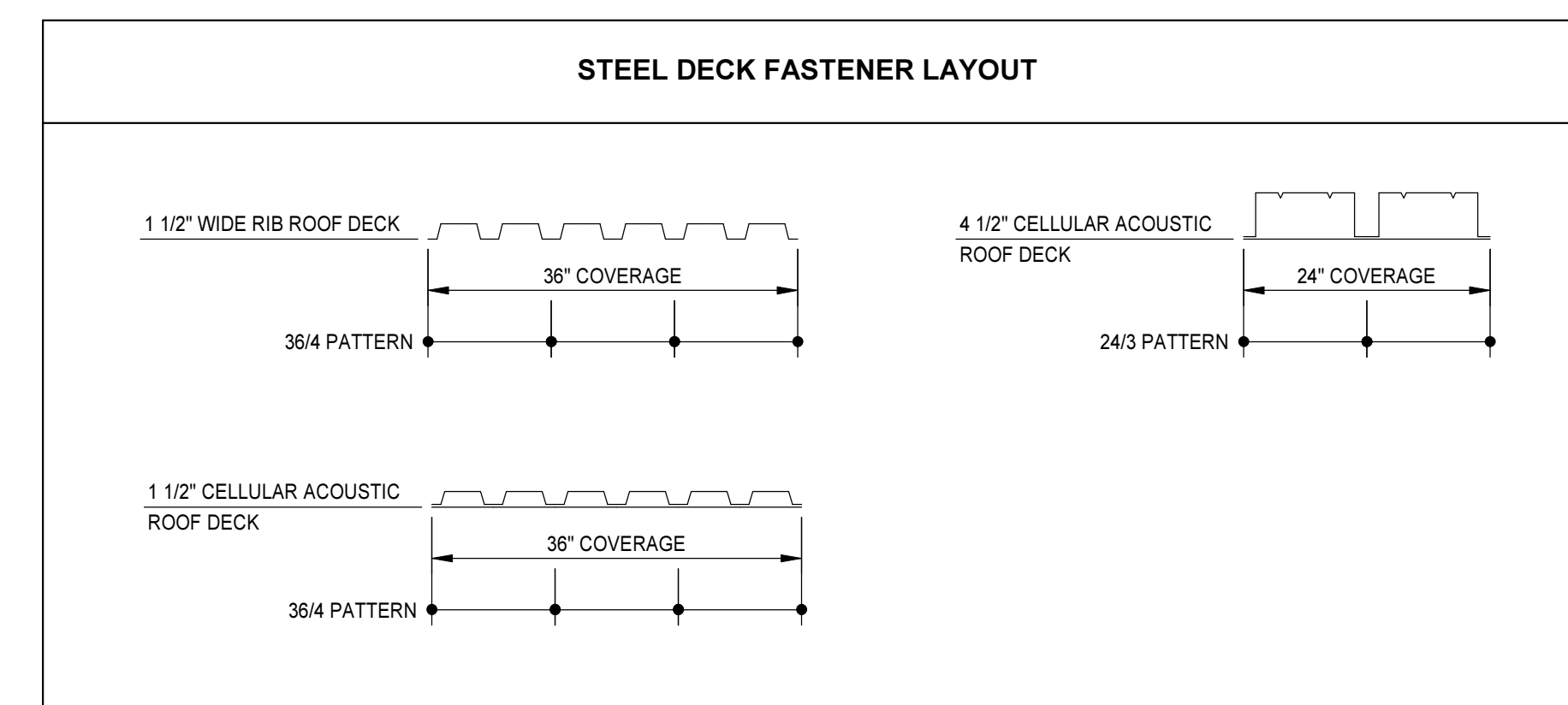
STEEL DECK SCHEDULE	
DECK TYPE 1	1 1/2" - 20 GAGE WIDE RIB ROOF DECK, GALVANIZED FASTEN TO ALL SUPPORTS WITH 5/8" DIAMETER PUDDLE WELDS AT 36/4 PATTERN, AND AT 8" OC AT ALL EDGES AND END LAPS. FASTEN SIDELAPS WITH #10 TEK SCREWS AT NOT GREATER THAN 12" OC.
DECK TYPE 2	1 1/2" - 20/20 GAGE CELLULAR ACOUSTIC ROOF DECK, GALVANIZED FASTEN TO ALL SUPPORTS WITH 5/8" DIAMETER PUDDLE WELDS AT 36/4 PATTERN, AND AT 8" OC AT ALL EDGES AND END LAPS. FASTEN SIDELAPS WITH #10 TEK SCREWS AT NOT GREATER THAN 12" OC.
DECK TYPE 3	4 1/2" - 18/18 GAGE CELLULAR ACOUSTIC ROOF DECK, GALVANIZED AND SHOP PRIMED FASTEN TO ALL SUPPORTS WITH 3/4" DIAMETER PUDDLE WELDS AT 24/3 PATTERN, AND AT 8" OC AT ALL EDGES. FASTEN SIDELAPS BY WELDING OR WITH #10 TEK SCREWS AT NOT GREATER THAN 24" OC.
DECK TYPE 4	2" - 18 GAGE COMPOSITE FLOOR DECK, GALVANIZED FASTEN TO ALL SUPPORTS AND EDGES WITH 5/8" DIAMETER PUDDLE WELDS AT 24/3 PATTERN, AND AT 8" OC AT ALL EDGES. FASTEN SIDELAPS WITH #10 TEK SCREWS AT NOT GREATER THAN 24" OC.
DECK TYPE 5	1 1/2" - 20/20 GAGE CELLULAR ROOF DECK GALVANIZED FASTEN TO ALL SUPPORTS WITH 5/8" DIAMETER PUDDLE WELDS AT 36/4 PATTERN, AND AT 8" OC AT ALL EDGES AND END LAPS. FASTEN SIDELAPS WITH #10 TEK SCREWS AT NOT GREATER THAN 12" OC.

ADDENDUM 5



BEAM ANCHORAGE DETAILS

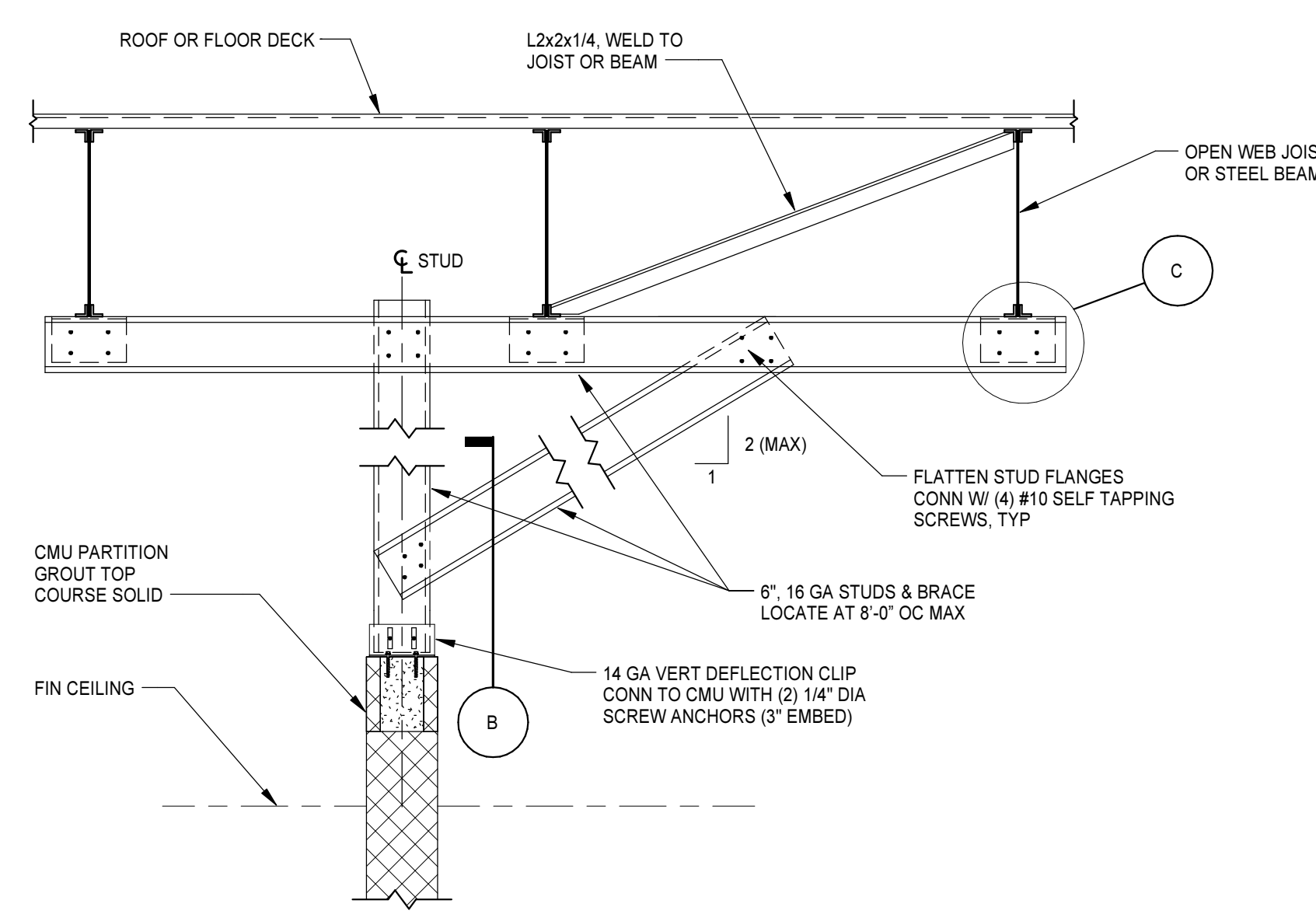
NO SCALE



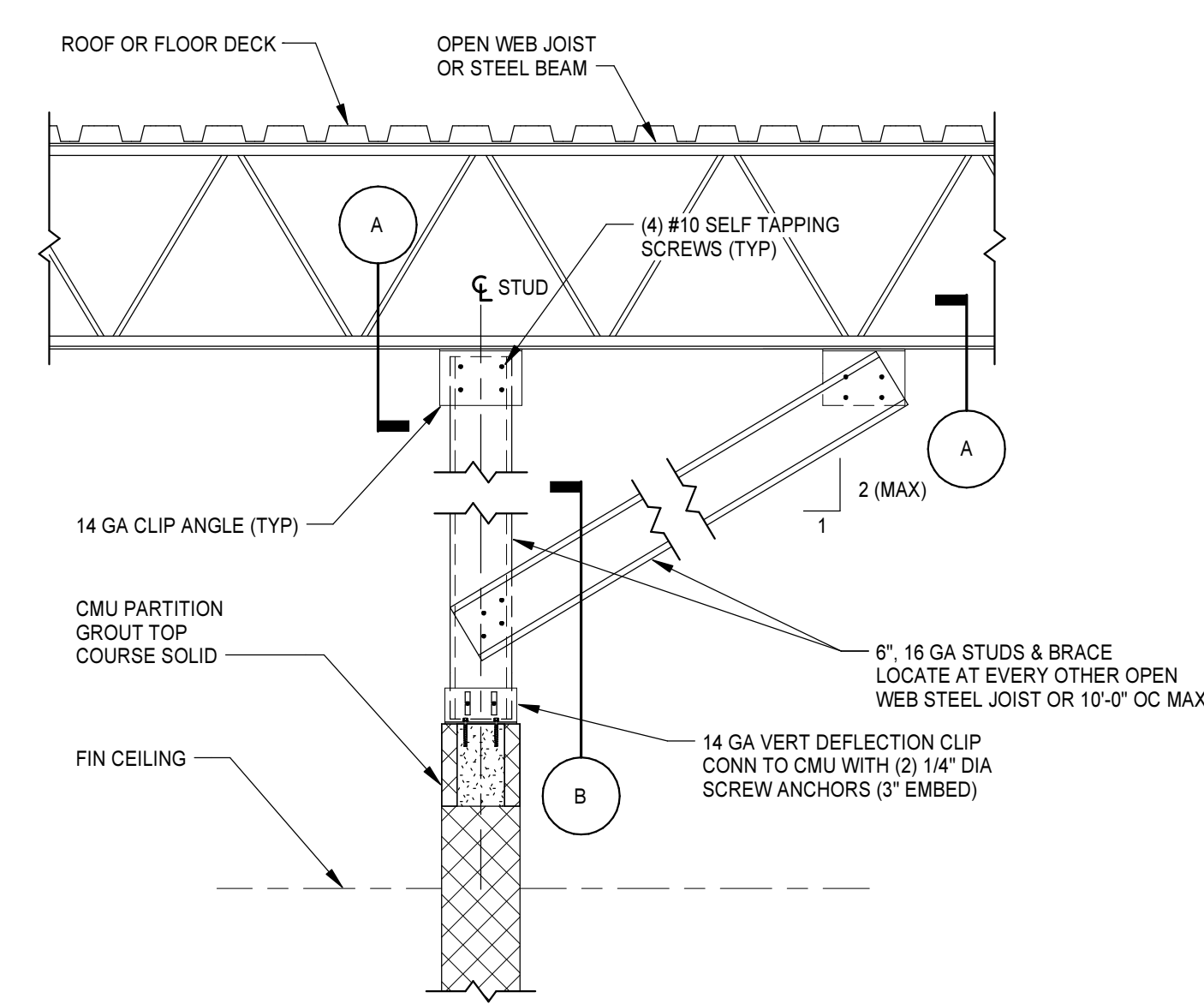
BEARING PLATE SCHEDULE				
MARK	SIZE			REMARKS
	W	t	L	
BP1	9"	3/8"	7"	
BP2	7"	3/8"	9"	
BP3	9"	1/2"	7"	
BP4	7"	1/2"	9"	
BP5	7"	1/2"	11"	
BP6	7"	3/8"	11"	
BP7	11"	3/8"	7"	
BP8	11"	1/2"	11"	

REFER TO BEAM ANCHORAGE DETAILS

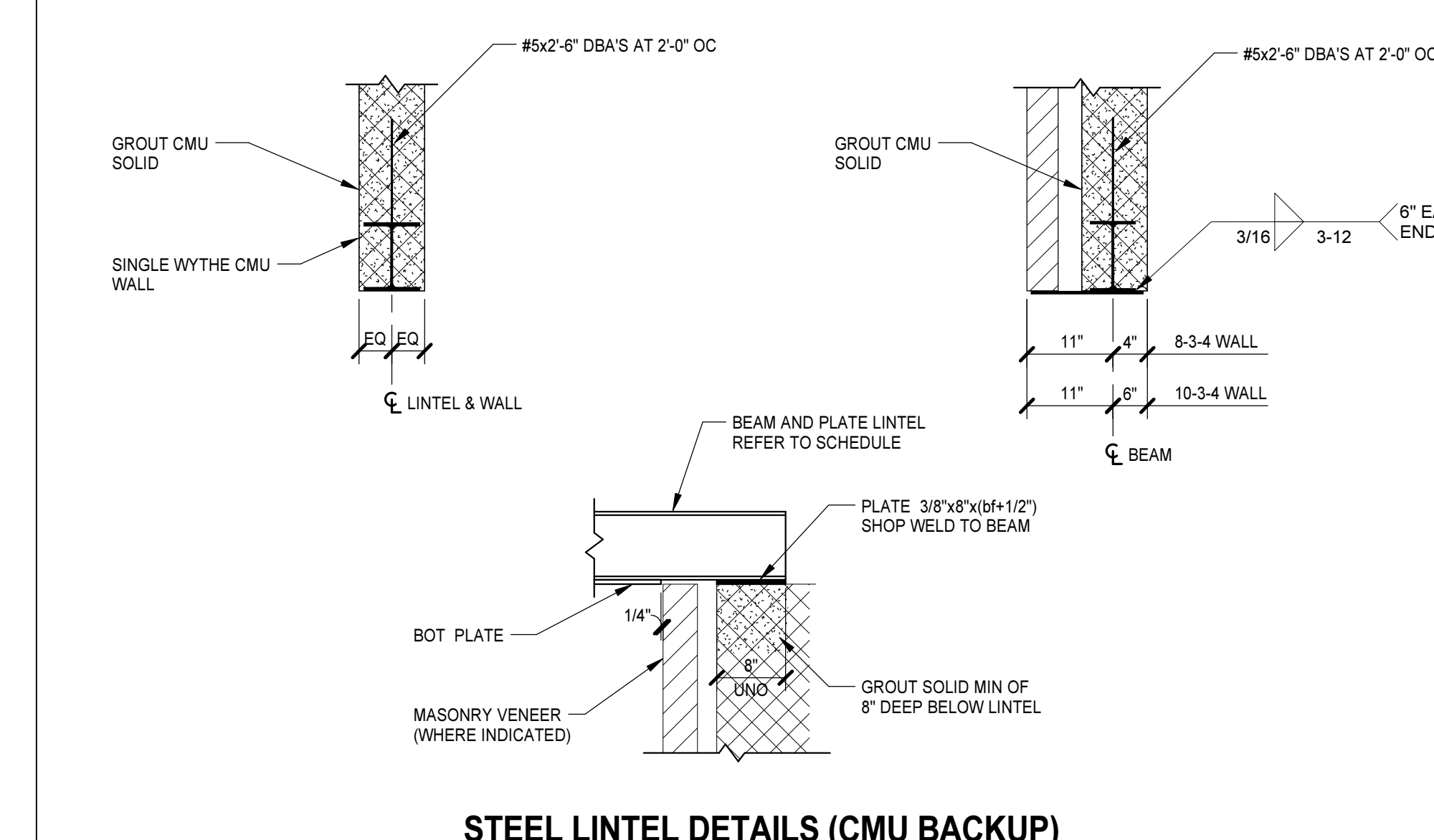
LINTEL SCHEDULE					LINTEL NOTES	
MARK	DIAGRAM	BOND BEAM (W x H)	REINFORCING	STEEL	NOTES	
L1		8 x 8	(1) #5 CONT		1. LINTELS FOR ARCHITECTURAL OPENINGS (WINDOWS, DOORS, LOUVERS) IN BEARING WALLS AND EXTERIOR WALLS ARE IDENTIFIED BY MARK NUMBER ON THE FRAMING PLANS AND INCLUDED IN THE LINTEL SCHEDULE.	
L2		10 x 8	(2) #5 CONT		2. LINTELS FOR ARCHITECTURAL OPENINGS IN NON-LOAD BEARING WALLS AND OTHER WALLS WHICH ARE NOT INDICATED ON THE FRAMING PLANS) SHALL BE CONSTRUCTED PER NOTES A, B OR C BELOW.	
L3		12 x 8	(2) #5 CONT		A. STEEL ANGLE LINTELS. PROVIDE ONE ANGLE FOR EACH NOMINAL 4" OF WALL THICKNESS PER THE FOLLOWING SCHEDULE.	
L4		8 x 8	(2) #5 CONT	CONT 5/16" BENT PL W/ 7" HORIZ LEG AND 6" VERT LEG	MASONRY OPENING UP TO 5'-0" 5'-1" TO 8'-0" 8'-1" TO 7'-0" OVER 7'-0" ANGLE SIZE L3 1/2x3 1/2x 5/16 L4x3 1/2x 5/16 (LLV) L5x3 1/2x 3/8 (LLV) AS DETAILED	
L5				W8x18 W/ CONT 5/16x1'-2" BOT PLATE	FOR OPENINGS ON 10" CMU HORIZONTAL LEGS OF ANGLES SHALL BE A COMBINATION OF 5" AND 4".	
L6		10 x 8	(2) #5 CONT	CONT 5/16" BENT PL W/ 7" HORIZ LEG AND 6" VERT LEG	FOR OPENINGS IN 6" CMU REQUIRING STEEL LINTELS, USE W7x11 UP TO 7'-0" OPENING.	
L7				W8x18 W/ CONT 5/16x0'-7" BOT PLATE	B. REINFORCED BOND BEAM LINTELS. LINTELS SHALL MATCH THICKNESS OF WALL. REINFORCE 8", 10" AND 12" BOND BEAM WITH (2) #5 BARS AT BOTTOM. REINFORCE 6" BOND BEAM WITH (1) #5 BAR AT BOTTOM. BOND BEAM SHALL BE 8" DEEP FOR OPENING WIDTH UP TO 5'-0" AND SHALL BEAR 8" ON SOLID MASONRY EACH END. BOND BEAM SHALL BE 16" DEEP FOR OPENING WIDTH UP TO 8'-0" AND SHALL BEAR 16" ON SOLID MASONRY EACH END WITH REINFORCING TOP AND BOTTOM. PLACE GROUT MONOLITHICALLY IN BOTH COURSES OF 16" DEEP BOND BEAM.	
L8				W8x18 W/ CONT 5/16x1'-4" BOT PLATE	C. PRECAST CONCRETE LINTELS PRECAST CONCRETE LINTELS SHALL BE 3 5/8" x 7 5/8" FOR EACH NOMINAL 4" THICKNESS OF WALL. REINFORCING SHALL BE (1) #4 TOP AND BOTTOM WITH 1 1/2" COVER. FOR OPENINGS IN 6" CMU, LINTEL SHALL BE 5 5/8" x 7 5/8" REINFORCED WITH (1) #5 TOP AND BOTTOM. MASONRY OPENING WIDTH SHALL BE 8'-0" OR LESS. DO NOT USE PRECAST CONCRETE LINTELS IN EXPOSED LOCATIONS.	
L9				W8x18 W/ CONT 5/16x1'-5" BOT PLATE	3. LINTELS FOR MECHANICAL DUCTWORK PENETRATIONS NOT OTHERWISE DETAILED SHALL BE ONE OF THE ABOVE (NOTE 2A, 2B OR 2C).	
L10		8 x 16	(4) #5 CONT, (2) EA COURSE		4. LINTELS SHALL BEAR 8" ONTO SOLID OR GROUT FILLED MASONRY, UNLESS OTHERWISE INDICATED.	
L11		12 x 16	(4) #5 CONT, (2) EA COURSE		5. LINTELS ARE REQUIRED OVER ALL MASONRY OPENINGS GREATER THAN 8" IN WIDTH.	
L12				W8x18 W/ CONT 5/16x0'-11" BOT PLATE	6. LINTELS ARE NOT REQUIRED ABOVE HOLLOW METAL FRAMES IN OPENINGS 3'-4" OR LESS IN 6" NON-BEARING MASONRY PARTITIONS. GROUT HEAD OF FRAMES SOLID BEFORE PLACING MASONRY.	
L13		10 x 16	(4) #5 CONT, (2) EA COURSE	CONT L4x4x3/8; OFFSET LOOSE ANGLE REFER TO SECTION 3/A5.1.1	7. ALL LINTELS IN EXTERIOR WALLS SHALL BE GALVANIZED.	
L14				W8x18 W/ CONT 5/16x1'-3" BOT PLATE		
L15		12 x 8	(2) #5 CONT	CONT 5/16" BENT PL W/ 7" HORIZ LEG AND 6" VERT LEG	CONN BENT PL TO CMU W/ 5/8" DIAM SCREW ANCHORS AT EA END AND @ 16" OC MIN. (INSTALL ANCHORS 3" FROM BOT)	



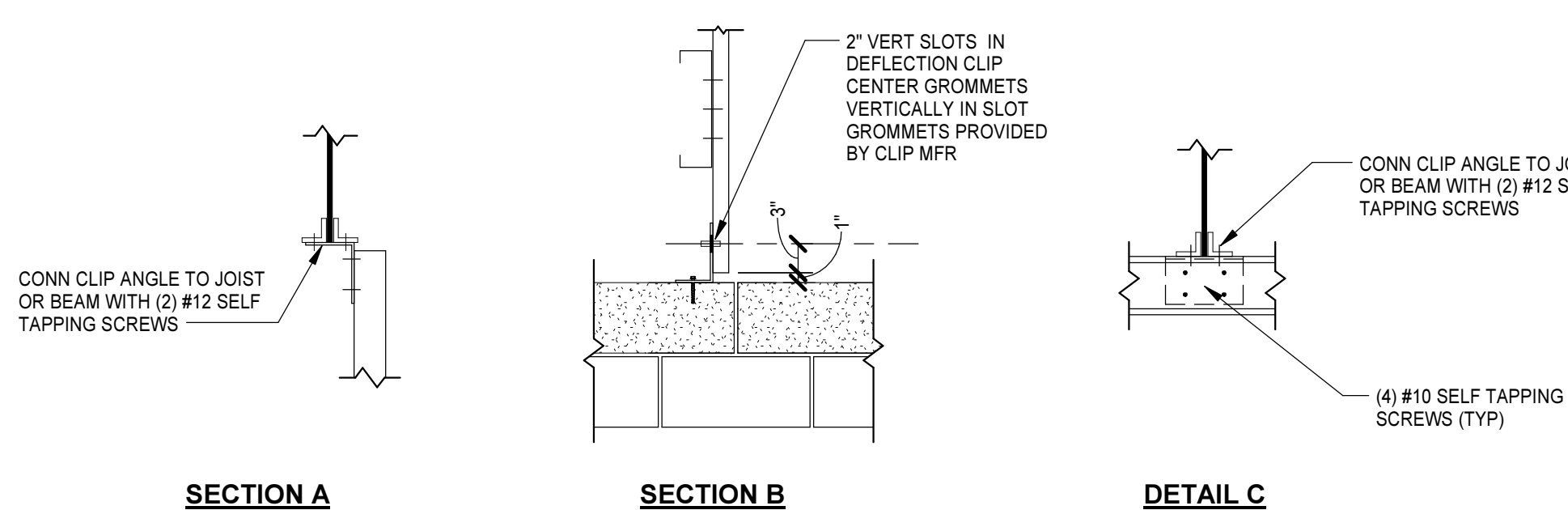
LOW WALL PARALLEL TO JOIST OR BEAM



LOW WALL PERPENDICULAR TO JOIST OR BEAM



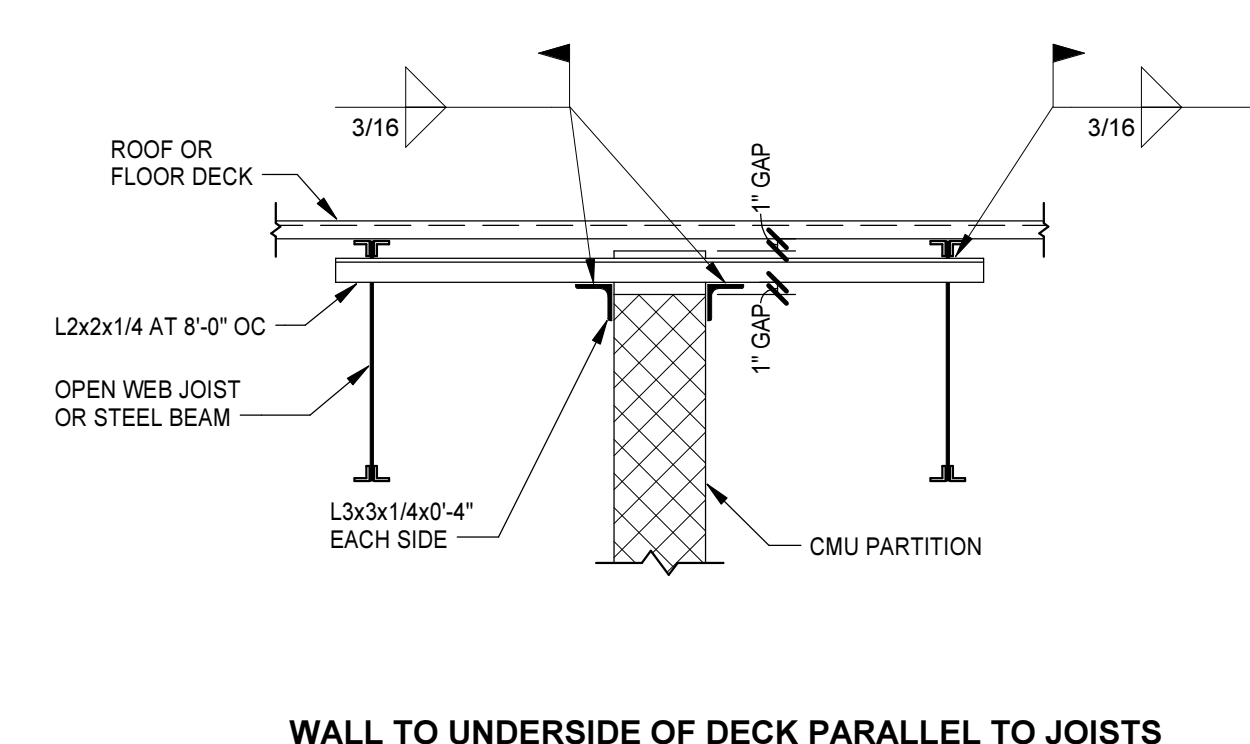
STEEL LINTEL DETAILS (CMU BACKUP)



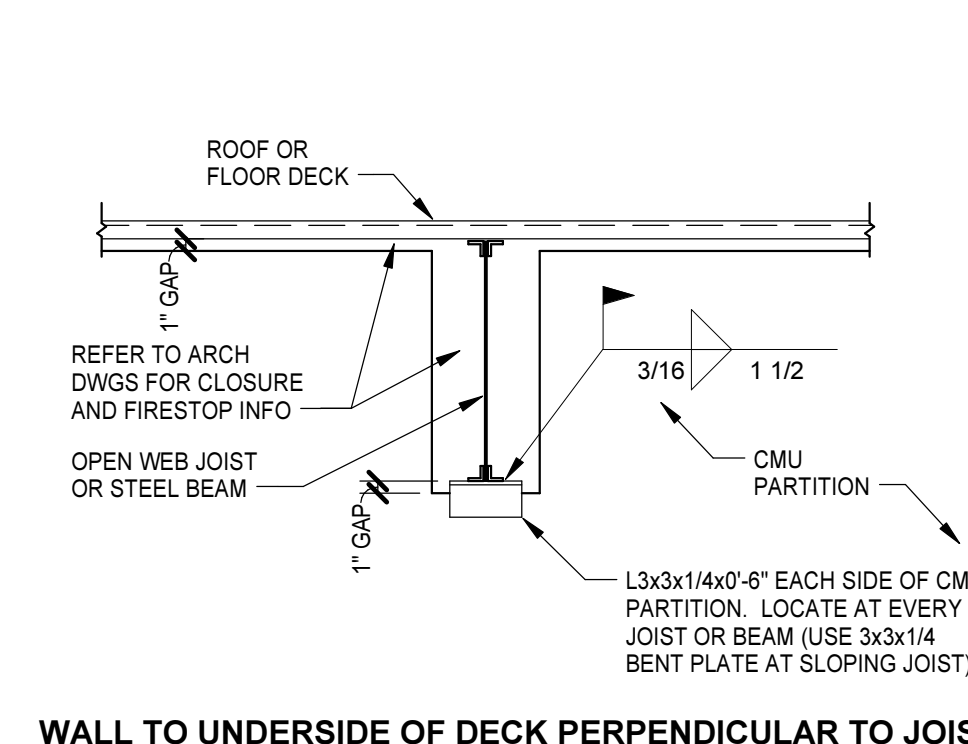
BRACING DETAILS FOR NON-LOAD BEARING INTERIOR MASONRY PARTITIONS

NO SCALE

- NOTES:
1. BRACE INTERIOR NON-LOAD BEARING MASONRY WALLS IN ACCORDANCE WITH THESE DETAILS UNLESS OTHERWISE INDICATED.
 2. IN LIEU OF BRACING AT TOPS OF WALLS, BRACING MAY BE PROVIDED BY INTERSECTING MASONRY WALLS WHEN THE DISTANCE BETWEEN THE INTERSECTING WALLS DOES NOT EXCEED THE FOLLOWING:
- | NOM THICKNESS OF BRACED WALLS | MAXIMUM SPACING BETWEEN INTERSECTING WALLS |
|-------------------------------|--------------------------------------------|
| 4" | 12'-0" |
| 6" | 16'-0" |
| 8" | 22'-0" |
| 10" | 26'-0" |
| 12" | 30'-0" |
3. BRACING IS REQUIRED IN ACCORDANCE WITH THESE DETAILS IF A VERTICAL CONTROL JOINT OCCURS BETWEEN INTERSECTING WALLS.
 4. REFER TO ARCHITECTURAL DRAWINGS FOR INTERIOR PARTITION TYPES AND LOCATIONS.
 5. INSTALL BRACING AFTER ALL ROOF DEAD LOAD IS IN PLACE.



WALL TO UNDERSIDE OF DECK PARALLEL TO JOISTS



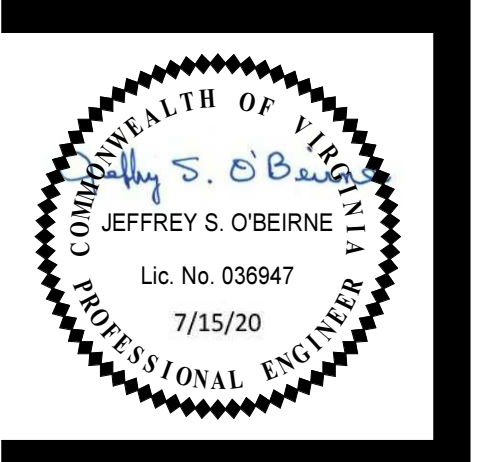
WALL TO UNDERSIDE OF DECK PERPENDICULAR TO JOISTS

PROJECT NO.	DATE
481000	JULY 15, 2020
REVISIONS	DESCRIPTION
DATE	ADDENDUM 5

TYPICAL MASONRY WALL AND LINTEL DETAILS

S4.0.1

MOSELEY ARCHITECTS
3200 NORFOLK STREET, RICHMOND, VA 23230
PHONE (804) 794-1555 FAX (804) 355-5690
MOSELEYARCHITECTS.COM



LOUDOUN COUNTY JUVENILE DETENTION CENTER
42055 GOURLEY TRANSIT DRIVE
LOUDOUN COUNTY, VIRGINIA